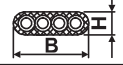
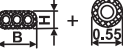


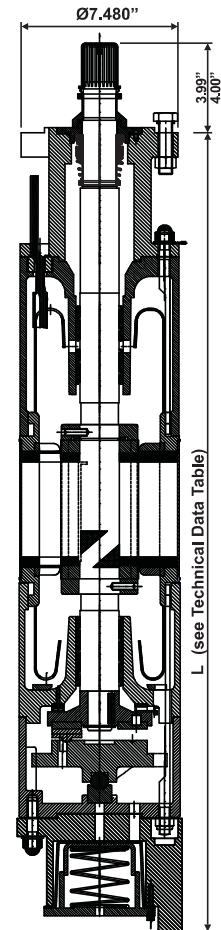
# TECHNICAL DATA    SUBMERSIBLE MOTOR 60 Hz    8" WF STANDARD

## 8 INCH WATER FILLED MOTOR

Type	Pn [hp]	S.F	Un (Volts)	Thrust Load (N)	Full load Amps	S.F. Amps	RPM	Efficiency [%]	Cos φ (P.F)	T <sub>N</sub> (Nm)	Locked rotor Amps	KVA code	Length (L) (inch)	Gross weight (lbs.)
								F.L	F.L					
M8-0400-460	40	1.15	460	45000	57.2	61.5	3480	85.0	0.89	82.40	329	L	45.7	403
M8-0500-460	50	1.15	460	45000	72.2	77.0	3480	85.0	0.87	101.60	415	K	49.2	451
M8-0600-460	60	1.15	460	45000	86.5	96.0	3500	86.3	0.87	122.85	502	K	53.1	495
M8-0750-460	75	1.15	460	45000	104.9	115.0	3500	87.0	0.87	150.00	608	J	55.1	526
M8-1000-460	100	1.15	460	45000	139.8	156.0	3500	88.0	0.88	204.70	840	J	60.2	620
M8-1250-460	125	1.15	460	45000	174.7	190.0	3500	88.3	0.87	253.80	1050	G	65.7	680
M8-1500-460	150	1.15	460	45000	214.0	232.0	3480	86.2	0.86	302.02	1286	G	70.9	761

## CABLE DATA

HP	ph	Type of start	Cable x Leads x Size (AWG)	Length [ft]	H x B [inch]	
40 - 125	3	DOL	1 x 4 x 6	16.4	0.55 x 1.48	
150	3	DOL	1 x 3 x 2 + 1 x 1 x 6	16.4	0.62 x 1.38	

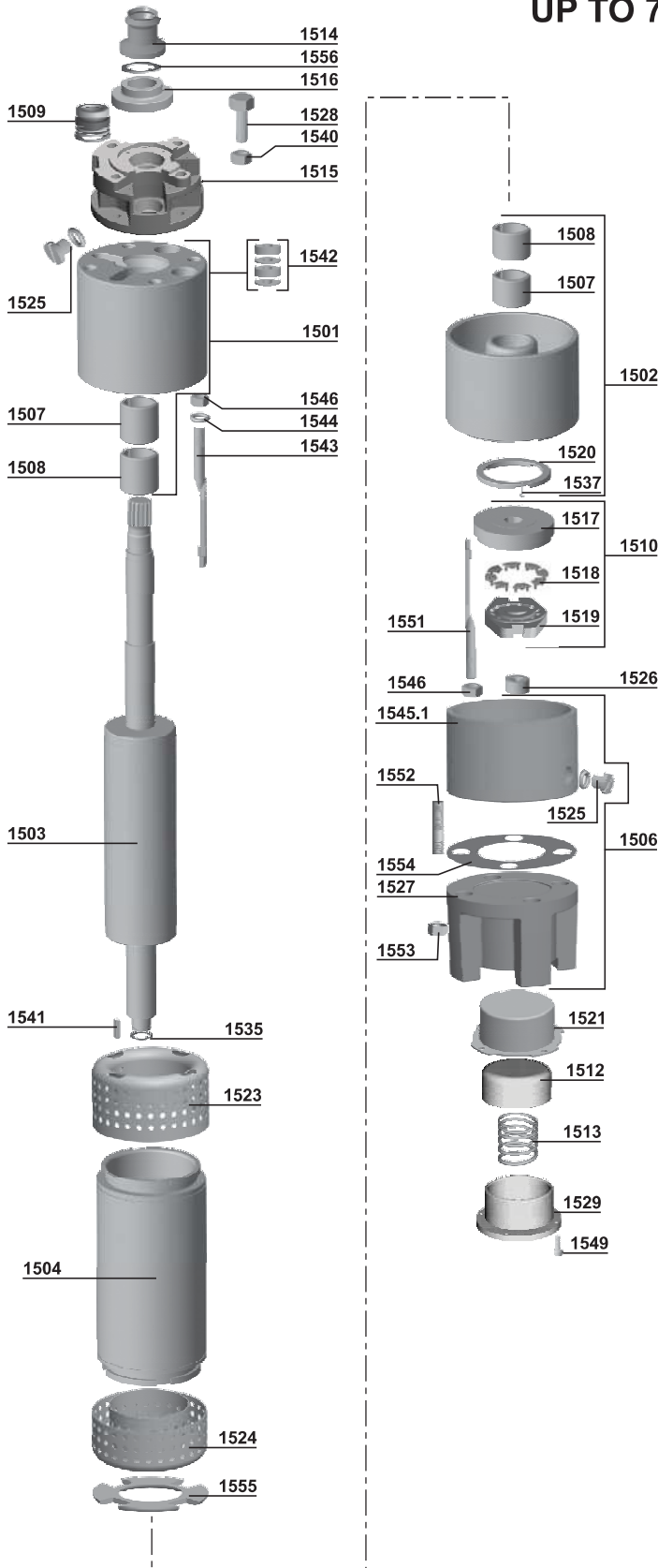


**NOTE: These motors are equipped with PT100 sensor.**

UP TO 75 HP

MATERIALS

PART NO.	PARTS NAME	MATERIAL
1501	UPPER BEARING HOUSING (COMPLETE)	-
1502	LOWER BEARING HOUSING (COMPLETE)	-
1503	ROTOR	STAINLESS STEEL
1504	STATOR	STAINLESS STEEL
1506	MOTOR BASE (COMPLETE)	-
1507	BEARING BUSH (45 X 55 X 40) MM	CARBON
1508	BEARING BUSH (45 X 55 X 40) MM	CARBON
1509	MECHANICAL SEAL	SIC / SIC / NBR
1510	THRUST BEARING SET	STAINLESS STEEL
1512	DIAPHRAGM PROTECTOR CUP	POM
1513	SPRING	STAINLESS STEEL
1514	SAND GUARD	NBR
1515	ADAPTOR	PU COATED GREY IRON
1516	SEAL GUARD	STAINLESS STEEL
1517	THRUST DISC WITH CARBON	PU COATED GREY IRON
1518	THRUST SEGMENT PIECE (QTY-8)	STAINLESS STEEL
1519	THRUST BEARING BASE	PU COATED GREY IRON
1520	COUNTER RING	CLOTH BASED FIBER
1521	DIAPHRAGM	NBR
1523	UPPER WINDING PROTECTOR	PLASTIC
1524	LOWER WINDING PROTECTOR	PLASTIC
1525	WATER PLUG WITH 'O' RING	BRONZE
1526	BEARING SUPPORT	STAINLESS STEEL
1527	MOTOR BASE	PU COATED GREY IRON
1528	COUPLE STUD	STAINLESS STEEL
1529	DIAPHRAGM COVER	PU COATED GREY IRON
1535	CIRCLIP	SPRING STEEL
1537	SCREW FOR COUNTER RING (QTY-3)	STAINLESS STEEL
1540	NUT FOR COUPLE STUD	STAINLESS STEEL
1541	KEY	STAINLESS STEEL
1542	CABLE KIT	-
1543	UPPER TIE ROD	EN-8
1544	'O' RING FOR TIE ROD	NBR
1545.1	BEARING HOUSING	PU COATED GREY IRON
1546	TIE ROD NUT	STAINLESS STEEL
1549	ALLEN PIN (QTY-4)	STAINLESS STEEL
1551	LOWER TIE ROD	EN-8
1552	STUD FOR MOTOR BASE (QTY-4)	STAINLESS STEEL
1553	NUT FOR MOTOR BASE	STAINLESS STEEL
1554	GASKET	NBR
1555	LOWER WINDING SUPPORTER	NBR
1556	WASHER	TEFLON



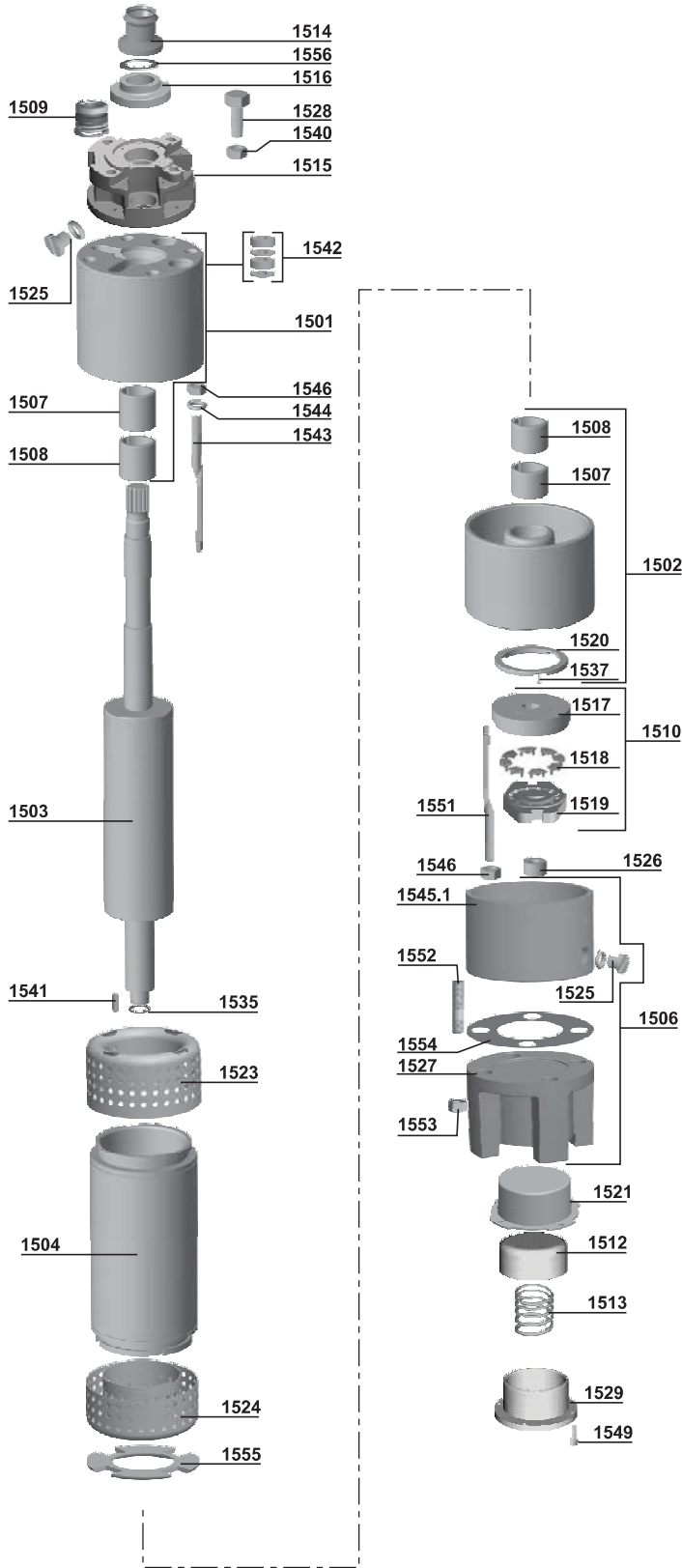
ORDERING NOTE:

While ordering spare parts kindly mention motor type, part no, part name, material & quantity in the order.

100 TO 150 HP

MATERIALS

PART NO.	PARTS NAME	MATERIAL
1501	UPPER BEARING HOUSING (COMPLETE)	-
1502	LOWER BEARING HOUSING (COMPLETE)	-
1503	ROTOR	STAINLESS STEEL
1504	STATOR	STAINLESS STEEL
1506	MOTOR BASE (COMPLETE)	-
1507	BEARING BUSH (50 X 62 X 50) MM	CARBON
1508	BEARING BUSH (50 X 62 X 50) MM	CARBON
1509	MECHANICAL SEAL	SIC / SIC / NBR
1510	THRUST BEARING SET	S.S./CARBON
1512	DIAPHRAGM PROTECTOR CUP	POM
1513	SPRING	STAINLESS STEEL
1514	SAND GUARD	-
1515	ADAPTOR	CAST IRON
1516	SEAL GUARD	STAINLESS STEEL
1517	THRUST DISC WITH CARBON	GREY IRON
1518	THRUST SEGMENT PIECE (QTY-8)	STAINLESS STEEL
1519	THRUST BEARING BASE	GREY IRON
1520	COUNTER RING	CLOTH BASED FIBER
1521	DIAPHRAGM	NBR
1523	UPPER WINDING PROTECTOR	PLASTIC
1524	LOWER WINDING PROTECTOR	PLASTIC
1525	WATER PLUG WITH 'O' RING	BRONZE
1526	BEARING SUPPORT	STAINLESS STEEL
1527	MOTOR BASE	CAST IRON
1528	COUPLE STUD	STAINLESS STEEL
1529	DIAPHRAGM COVER	PU COATED GREY IRON
1535	CIRCLIP	SPRING STEEL
1537	SCREW FOR COUNTER RING (QTY-3)	STAINLESS STEEL
1540	NUT FOR COUPLE STUD	STAINLESS STEEL
1541	KEY	STAINLESS STEEL
1542	CABLE KIT	-
1543	UPPER TIE ROD	EN-8
1544	'O' RING FOR TIE ROD	RUBBER
1545.1	BEARING HOUSING	CAST IRON
1546	TIE ROD NUT	STAINLESS STEEL
1549	ALLEN PIN (QTY-4)	STAINLESS STEEL
1551	LOWER TIE ROD	EN-8
1552	STUD FOR MOTOR BASE (QTY-4)	STAINLESS STEEL
1553	NUT FOR MOTOR BASE	STAINLESS STEEL
1554	GASKET	RUBBER
1555	LOWER WINDING SUPPORTER	RUBBER
1556	WASHER	TEFLON



ORDERING NOTE:

While ordering spare parts kindly mention motor type, part no, part name, material & quantity in the order.