

TECHNICAL DATA SUBMERSIBLE MOTOR 60 Hz 6" WF STANDARD

6 INCH/1 PHASE WATER FILLED MOTOR

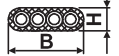
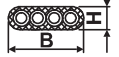
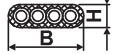
Type	Pn [hp]	S.F	Un (Volts)	Thrust Load (N)	Full load Amps	S.F. Amps	RPM	Efficiency [%]	Cos φ (P.F)	T _N (Nm)	Locked rotor Amps	KVA code	Length (L) (inch)	Gross weight (lbs.)
								F.L	F.L					
M6-050-230-1	5	1.15	230	15500	25.0	28.75	3500	74.0	0.94	10.10	148	E	22.6	107
M6-075-230-1	7.5	1.15	230	15500	35.0	40.25	3500	75.0	0.94	15.01	205	F	23.1	114
M6-100-230-1	10	1.15	230	15500	45.0	51.75	3500	76.0	0.96	20.47	257	E	26.2	122
M6-150-230-1	15	1.15	230	15500	63.0	72.45	3500	78.0	0.96	30.02	362	E	29.3	133

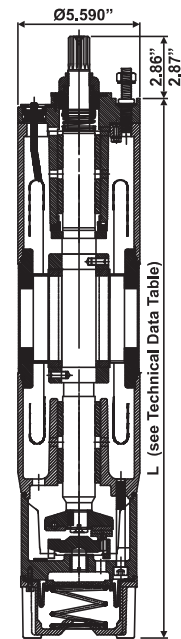
6 INCH/3 PHASE WATER FILLED MOTOR

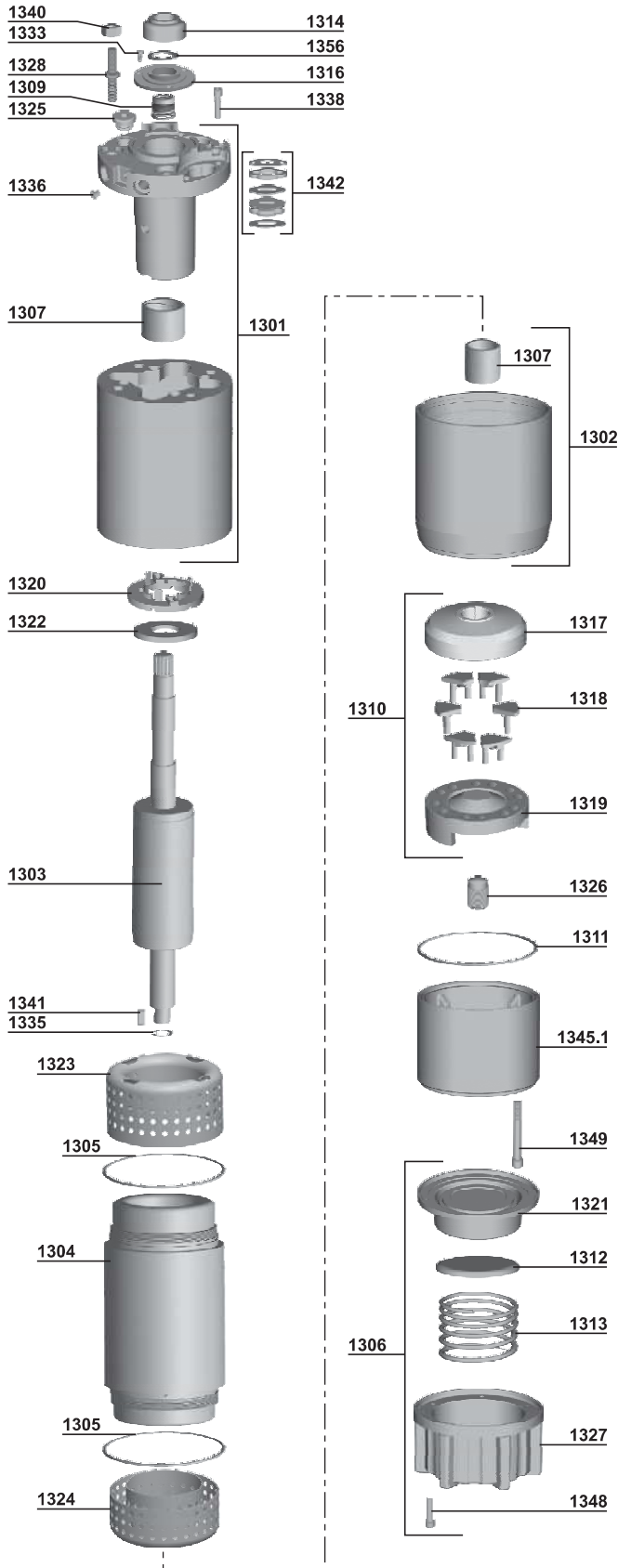
Type	Pn [hp]	S.F	Un (Volts)	Thrust Load (N)	Full load Amps	S.F. Amps	RPM	Efficiency [%]	Cos φ (P.F)	T _N (Nm)	Locked rotor Amps	KVA code	Length (L) (inch)	Gross weight (lbs.)
								F.L	F.L					
M6-050-230	5	1.15	230	27500	18.50	21.30	3480	77.0	0.81	10.98	98	F	26.7	107
M6-050-460	5	1.15	460	27500	9.30	9.50	3500	78.0	0.80	10.92	43	H	26.7	107
M6-075-230	7.5	1.15	230	27500	25.80	29.70	3480	79.0	0.82	15.10	137	F	27.9	131
M6-075-460	7.5	1.15	460	27500	12.60	13.60	3500	79.0	0.82	15.00	59	H	27.9	131
M6-100-230	10	1.15	230	27500	32.60	37.50	3480	80.0	0.83	20.59	176	F	29.8	144
M6-100-460	10	1.15	460	27500	16.50	18.00	3500	80.0	0.82	20.47	83	H	29.8	144
M6-150-230	15	1.15	230	27500	46.70	53.70	3480	81.0	0.84	30.20	262	F	34.0	162
M6-150-460	15	1.15	460	27500	23.30	24.10	3500	82.0	0.83	30.00	123	H	34.0	162
M6-200-230	20	1.15	230	27500	61.40	71.65	3480	83.0	0.85	41.18	347	F	37.9	186
M6-200-460	20	1.15	460	27500	31.10	34.00	3500	83.0	0.84	40.95	167	J	37.9	186
M6-250-230	25	1.15	230	27500	79.40	91.30	3480	84.0	0.85	50.79	449	F	40.3	200
M6-250-460	25	1.15	460	27500	37.80	40.00	3500	84.0	0.84	50.50	215	J	40.3	200
M6-300-230	30	1.15	230	27500	92.70	106.60	3480	85.0	0.85	60.40	519	F	42.6	218
M6-300-460	30	1.15	460	27500	45.00	52.00	3500	84.0	0.84	60.00	261	H	42.6	218
M6-400-460	40	1.15	460	27500	60.00	68.00	3500	85.0	0.85	81.90	371	J	47.8	274
M6-500-460	50	1.15	460	27500	74.00	80.00	3500	85.0	0.85	101.0	416	G	51.7	301
M6-600-460	60	1.15	460	27500	89.90	96.00	3500	85.0	0.85	122.8	507	F	55.6	324

NOTE: PT100 sensor can be provided on request.

CABLE DATA

HP	ph	Type of start	Cable x Leads x Size (AWG)	Length [ft]	H x B [inch]	
5 - 15	1	DOL	1 x 4 x 10	13.0	0.31 x 0.96	
5 - 30	3	DOL	1 x 4 x 10	13.0	0.31 x 0.96	
40 - 60	3	DOL	1 x 4 x 8	13.0	0.31 x 0.96	





MATERIALS

PART NO.	PARTS NAME	MATERIAL
1301	UPPER BEARING HOUSING (COMPLETE)	-
1302	LOWER BEARING HOUSING (COMPLETE)	-
1303	ROTOR	STAINLESS STEEL
1304	STATOR	STAINLESS STEEL
1305	'O' RING	NBR
1306	MOTOR BASE (COMPLETE)	-
1307	BEARING BUSH (38 X 50 X 40) MM	CARBON
1309	MECHANICAL SEAL	SIC / SIC / NBR
1310	THRUST BEARING SET (SIX SEGMENT)	CARBON V/S S.S.
1311	'O' RING	NBR
1312	DIAPHRAGM SUPPORT	STAINLESS STEEL
1313	SPRING	STAINLESS STEEL
1314	SAND GUARD	NBR
1316	SEAL GUARD	STAINLESS STEEL
1317	THRUST DISC WITH CARBON	PU COATED GREY IRON
1318	THRUST SEGMENT PIECE	STAINLESS STEEL
1319	THRUST BEARING BASE	PU COATED GREY IRON
1320	COUNTER RING	FIBER
1321	DIAPHRAGM	NBR
1322	THRUST WASHER	STEEL
1323	UPPER WINDING PROTECTOR	PLASTIC
1324	LOWER WINDING PROTECTOR	PLASTIC
1325	WATER PLUG WITH 'O' RING	BRONZE
1326	BEARING SUPPORT	STAINLESS STEEL
1327	MOTOR BASE	PU COATED GREY IRON
1328	COUPLE STUD	STAINLESS STEEL
1333	SCREW FOR SEAL GUARD	STAINLESS STEEL
1335	CIRCLIP	SPRING STEEL
1336	EARTHING PIN	STAINLESS STEEL
1338	ALLEN PIN	STAINLESS STEEL
1340	NUT FOR COUPLE STUD	STAINLESS STEEL
1341	KEY	STAINLESS STEEL
1342	CABLE KIT	-
1345.1	BEARING HOUSING	PU COATED GREY IRON
1348	ALLEN PIN	STAINLESS STEEL
1349	ALLEN PIN	STAINLESS STEEL
1356	WASHER	TEFLON

ORDERING NOTE:

While ordering spare parts kindly mention motor type, part no, part name, material & quantity in the order.