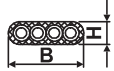
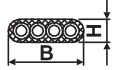


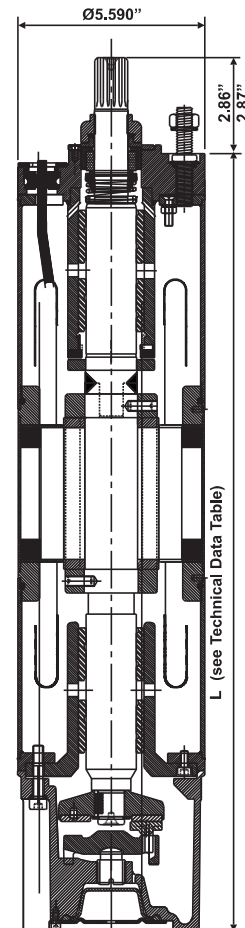
6 INCH WATER FILLED MOTOR

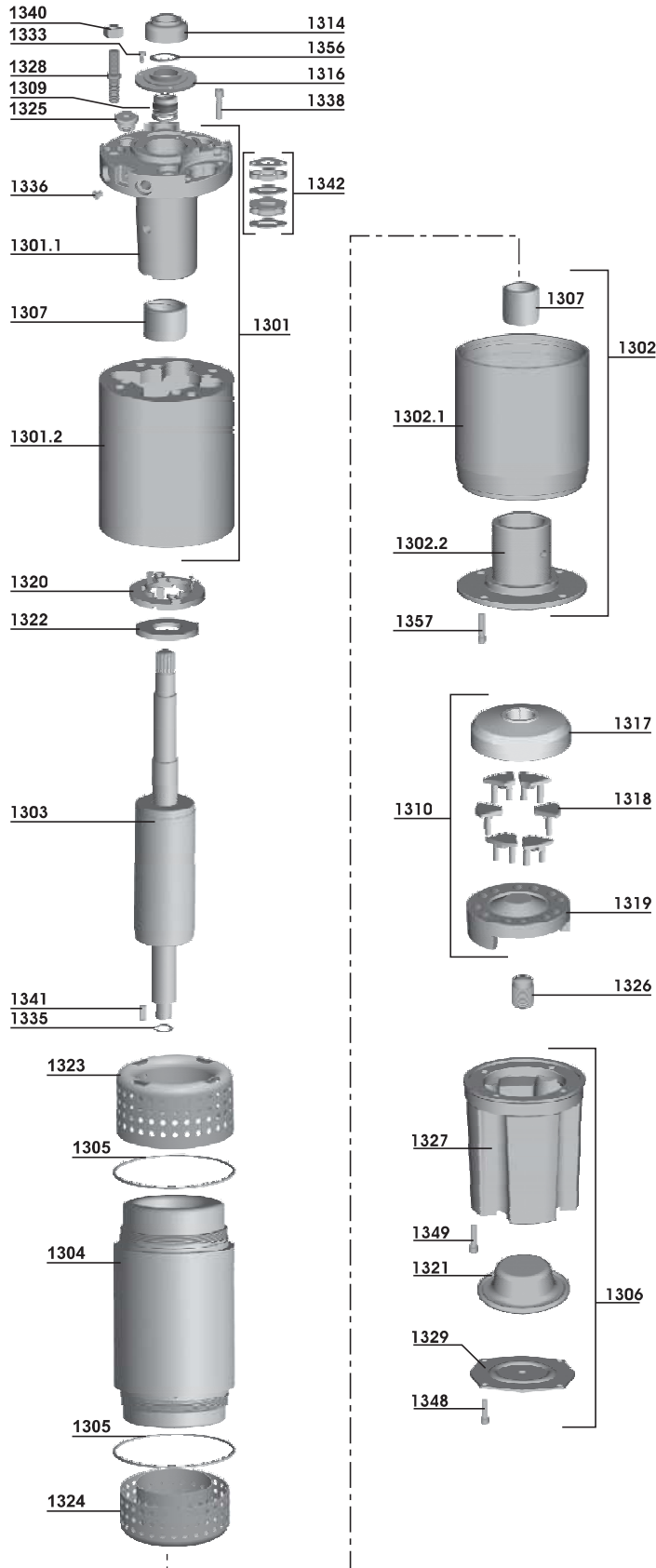
Type	Pn [hp]	S.F	Un (Volts)	Thrust Load (N)	Full load Amps	S.F. Amps	RPM	Efficiency [%]	Cos φ (P.F)	T _N (Nm)	Locked rotor Amps	KVA code	Length (L) (inch)	Gross weight (lbs.)
								F.L	F.L					
M6-050-230-316	5	1.15	230	27500	18.50	21.30	3480	77.0	0.81	10.98	98	F	20.9	98
M6-050-460-316	5	1.15	460	27500	9.30	9.50	3500	78.0	0.80	10.92	43	H	20.9	98
M6-075-230-316	7.5	1.15	230	27500	25.80	29.70	3480	79.0	0.82	15.10	137	F	21.5	106
M6-075-460-316	7.5	1.15	460	27500	12.60	13.60	3500	79.0	0.82	15.00	59	H	21.5	106
M6-100-230-316	10	1.15	230	27500	32.60	37.50	3480	80.0	0.83	20.59	176	F	22.6	118
M6-100-460-316	10	1.15	460	27500	16.50	18.00	3500	80.0	0.82	20.47	83	H	22.6	118
M6-150-230-316	15	1.15	230	27500	46.70	53.70	3480	81.0	0.84	30.20	262	F	26.2	137
M6-150-460-316	15	1.15	460	27500	23.30	24.10	3500	82.0	0.83	30.00	123	H	26.2	137
M6-200-230-316	20	1.15	230	27500	61.40	71.65	3480	83.0	0.85	41.18	347	F	29.3	162
M6-200-460-316	20	1.15	460	27500	31.10	34.00	3500	83.0	0.84	40.95	167	J	29.3	162
M6-250-230-316	25	1.15	230	27500	79.40	91.30	3480	84.0	0.85	50.79	449	F	32.0	175
M6-250-460-316	25	1.15	460	27500	37.80	40.00	3500	84.0	0.84	50.50	215	J	32.0	175
M6-300-230-316	30	1.15	230	27500	92.70	106.60	3480	85.0	0.85	60.40	519	F	41.5	207
M6-300-460-316	30	1.15	460	27500	45.00	52.00	3500	84.0	0.84	60.00	261	H	41.5	207
M6-400-460-316	40	1.15	460	27500	60.00	68.00	3500	85.0	0.85	81.90	371	J	46.6	260
M6-500-460-316	50	1.15	460	27500	74.00	80.00	3500	85.0	0.85	101.0	416	G	51.7	287
M6-600-460-316	60	1.15	460	27500	89.90	96.00	3500	85.0	0.85	122.8	507	F	55.6	311

NOTE: Stainless steel 304 is available on request.
PT100 sensor can be provided on request.

CABLE DATA

HP	ph	Type of start	Cable x Leads x Size (AWG)	Length [ft]	H x B [inch]	
5 - 30	3	DOL	1 x 4 x 10	13.0	0.31 x 0.96	
40 - 60	3	DOL	1 x 4 x 8	13.0	0.31 x 0.96	





MATERIALS

PART NO.	PARTS NAME	MATERIAL
1301	UPPER BEARING HOUSING (COMPLETE)	-
1301.1	UPPER BEARING HOUSING	SS316
1301.2	UPPER COVER	SS316
1302	LOWER BEARING HOUSING (COMPLETE)	-
1302.1	LOWER BEARING HOUSING COVER	SS316
1302.2	LOWER BEARING HOUSING	PU COATED GREY IRON
1303	ROTOR	SS316
1304	STATOR	SS316
1305	'O' RING	NBR
1306	MOTOR BASE (COMPLETE)	-
1307	BEARING BUSH	CARBON
1309	MECHANICAL SEAL	SIC / SIC / NBR
1310	THRUST BEARING SET	CARBON V/S S.S.
1314	SAND GUARD	NBR
1316	SEAL GUARD	SS316
1317	THRUST DISC WITH CARBON	PU COATED GREY IRON/CARBON
1318	THRUST SEGMENT PIECE	STAINLESS STEEL
1319	THRUST BEARING BASE	PU COATED GREY IRON
1320	COUNTER RING	NYLON-6
1321	DIAPHRAGM	NBR
1322	THRUST WASHER	M.S.
1323	UPPER WINDING PROTECTOR	PLASTIC
1324	LOWER WINDING PROTECTOR	PLASTIC
1325	WATER PLUG WITH 'O' RING	SS316
1326	BEARING SUPPORT	STAINLESS STEEL
1327	MOTOR BASE	SS316
1328	COUPLE STUD	SS316
1329	DIAPHRAGM COVER	SS316
1333	SCREW FOR SEAL GUARD	SS316
1335	CIRCLIP	SPRING STEEL
1336	EARTHING PIN	STAINLESS STEEL
1338	ALLEN PIN	SS316
1340	NUT FOR COUPLE STUD	SS316
1341	KEY	STAINLESS STEEL
1342	CABLE KIT	-
1348	ALLEN PIN	SS316
1349	ALLEN PIN	SS316
1356	WASHER	TEFLON
1357	ALLEN PIN	STAINLESS STEEL

ORDERING NOTE:

While ordering spare parts kindly mention motor type, part no, part name, material & quantity in the order.