

# EASY SELECTION CHART

# 5 GPM

# MODEL P04-05

Selection Charts  
(Ratings are in Gallons per Minute - GPM)

Flow Range  
(1.2 To 7 GPM)

Pump Outlet  
1" NPT

		Depth to pumping water Level (Lift) in Feet																												
PUMP MODEL	HP	PSI	20	40	60	80	100	120	140	160	180	200	220	240	260	280	300	340	400	460	520	600	700	800	900	1000	1100			
P04-05-09-005	1/2	0				7.1	6.7	6.2	5.8	5.3	4.8	4.3	3.2	2.1																
		20		7.0	6.6	6.1	5.7	5.2	4.6	4.0	2.8	1.6																		
		30		6.5	6.0	5.6	5.1	4.6	3.8	2.9	1.5																			
		40	6.7	6.0	5.5	5.1	4.4	3.8	2.4																					
		50	6.2	5.5	4.9	4.4	3.4	2.5	1.3																					
		60	5.6	4.9	4.2	3.5	1.9																							
SHUT-OFF PSI			102	94	85	76	68	59	50	42	33	24	16	7																
P04-05-13-005	1/2	0						7.1	6.8	6.4	6.1	5.8	5.5	5.2	4.8	4.5	3.9	2.3												
		20			7.3	7.0	6.7	6.3	6.0	5.7	5.4	5.1	4.7	4.3	3.7	3.1	2.0													
		30		7.2	6.9	6.6	6.3	6.0	5.7	5.4	5.0	4.7	4.2	3.7	2.8	2.0														
		40	7.2	6.9	6.6	6.3	5.9	5.6	5.3	5.0	4.6	4.2	3.5	2.8	1.6															
		50	6.8	6.5	6.2	5.9	5.6	5.3	4.9	4.6	4.0	3.5	2.6	1.6																
		60	6.5	6.2	5.8	5.5	5.2	4.9	4.5	4.0	3.3	2.6	1.3																	
SHUT-OFF PSI			152	143	134	126	117	108	100	91	82	74	65	56	48	39	30	13												
P04-05-18-007	3/4	0								7.1	6.9	6.7	6.4	6.2	6.0	5.8	5.6	5.1	4.2	2.7										
		20						7.1	6.8	6.6	6.4	6.2	5.9	5.7	5.5	5.3	5.0	4.5	3.2											
		30					7.0	6.8	6.6	6.3	6.1	5.9	5.7	5.5	5.2	5.0	4.7	4.0	2.5											
		40			7.2	7.0	6.8	6.5	6.3	6.1	5.9	5.6	5.4	5.2	4.9	4.7	4.4	3.5	1.5											
		50		7.2	7.0	6.7	6.5	6.3	6.1	5.8	5.6	5.4	5.1	4.9	4.6	4.3	3.9	2.9												
		60	7.1	6.9	6.7	6.5	6.2	6.0	5.8	5.6	5.3	5.1	4.9	4.6	4.3	3.9	3.4	2.1												
SHUT-OFF PSI			213	204	195	187	178	169	161	152	143	135	126	117	109	100	91	74	48	22										
P04-05-22-010	1	0										7.1	6.9	6.7	6.6	6.4	6.2	5.8	5.3	4.7	3.8	1.7								
		20								7.1	6.9	6.7	6.5	6.3	6.1	6.0	5.8	5.4	4.8	4.0	2.8									
		30							7.0	6.8	6.7	6.5	6.3	6.1	5.9	5.7	5.6	5.2	4.6	3.6	2.1									
		40					7.0	6.8	6.6	6.5	6.3	6.1	5.9	5.7	5.5	5.4	5.0	4.3	3.1	1.3										
		50				7.2	7.0	6.8	6.6	6.4	6.2	6.1	5.9	5.7	5.5	5.3	5.1	4.7	3.9	2.5										
		60			7.1	6.9	6.8	6.6	6.4	6.2	6.0	6.0	5.7	5.5	5.3	5.1	4.9	4.4	3.5	1.7										
SHUT-OFF PSI					245	237	228	219	211	202	194	185	176	168	159	150	142	124	98	72	46	12								
P04-05-26-015	1 1/2	0												7.1	7.0	6.8	6.7	6.4	5.9	5.4	4.9	4.1	2.1							
		20											7.1	6.9	6.8	6.6	6.5	6.3	6.0	5.5	5.1	4.5	3.4							
		30										7.1	6.9	6.7	6.6	6.4	6.3	6.1	5.8	5.4	4.8	4.2	2.9							
		40								7.0	6.9	6.7	6.6	6.4	6.3	6.1	6.0	5.6	5.2	4.6	5.6	2.4								
		50							7.0	6.9	6.7	6.5	6.4	6.2	6.1	5.9	5.8	5.5	5.0	4.4	3.6	1.7								
		60						7.0	6.8	6.7	6.5	6.4	6.2	6.1	5.9	5.8	5.6	5.3	4.8	4.1	3.1									
SHUT-OFF PSI							269	260	252	243	234	226	217	208	200	191	174	148	122	96	61	18								
P04-05-31-015	1 1/2	0													7.1	7.0	6.7	6.3	5.9	5.5	6.7	4.1	2.6							
		20												7.1	6.9	6.8	6.7	6.4	6.0	5.6	5.2	4.6	3.5	1.6						
		30											7.0	6.9	6.8	6.6	6.5	6.2	5.9	5.5	5.1	4.4	3.2	0.9						
		40										7.0	6.9	6.8	6.6	6.5	6.4	6.1	5.7	5.3	4.9	4.2	2.8							
		50								7.1	7.0	6.9	6.7	6.6	6.5	6.3	6.2	6.0	5.6	5.2	4.7	4.0	2.3							
		60							7.1	7.0	6.8	6.7	6.6	6.5	6.3	6.2	6.1	5.8	5.4	5.0	4.5	3.7	1.7							
SHUT-OFF PSI								320	311	303	294	285	277	268	259	251	233	207	181	155	121	77	34							

See P04-05 Performance Curves for Higher Head Models.  
Specifications subject to change without notice.



# EASY SELECTION CHART

# 7 GPM

# MODEL P04-07

Selection Charts  
(Ratings are in Gallons per Minute - GPM)

Flow Range  
(3 To 10 GPM)

Pump Outlet  
1" NPT

		Depth to pumping water Level (Lift) in Feet																												
PUMP MODEL	HP	PSI	20	40	60	80	100	120	140	160	180	200	220	240	260	280	300	340	400	460	520	600	700	800	900	1000	1100			
P04-07-08-005	1/2	20	10.0	9.5	8.7	8.0	7.2	6.4	5.0	3.7	1.8																			
		30	9.3	8.7	7.9	7.1	6.1	5.1	2.6																					
		40	8.5	7.8	7.0	6.1	4.5	2.9	1.5																					
		50	7.6	6.9	5.8	4.7	2.3																							
		60	6.7	5.8	3.9	2.0																								
SHUT-OFF PSI			86	77	69	60	52	43	34	26	17	8																		
P04-07-11-005	1/2	0					9.9	9.5	8.9	8.4	7.8	7.3	6.7	6.0	5.0	4.0														
		20			9.8	9.3	8.8	8.2	7.7	7.1	6.5	5.8	4.7	3.5	1.8															
		30	10.0	9.7	9.2	8.7	8.1	7.6	7.0	6.4	5.6	4.7	2.9																	
		40	9.6	9.2	8.6	8.1	7.5	6.9	6.2	5.6	4.3	3.0	1.5																	
		50	9.1	8.5	8.0	7.4	6.8	6.2	5.3	4.3	2.2																			
60	8.4	7.9	7.3	6.8	6.0	5.3	3.8	2.3																						
SHUT-OFF PSI			122	113	105	96	87	79	70	61	53	44	35	27	18	10														
P04-07-15-007	3/4	0						10.1	9.9	9.5	9.2	8.8	8.4	8.0	7.6	7.1	6.7	5.6	2.9											
		20				10.1	9.8	9.4	9.0	8.6	8.2	7.8	7.4	7.0	6.5	6.1	5.4	3.6												
		30			10.0	9.7	9.4	9.0	8.6	8.2	7.8	7.4	6.9	6.5	5.9	5.4	4.5	1.8												
		40		10.0	9.7	9.3	8.9	8.5	8.1	7.7	7.3	6.9	6.4	5.9	5.2	4.5	3.2	1.0												
		50	9.9	9.6	9.2	8.9	8.5	8.1	7.6	7.2	6.8	6.4	5.8	5.2	4.2	3.2	1.6													
60	9.5	9.2	8.8	8.4	8.0	7.6	7.2	6.7	6.2	5.7	4.9	4.2	2.8	1.4																
SHUT-OFF PSI			170	101	153	144	135	127	118	110	101	92	84	75	66	58	49	32	6											
P04-07-19-010	1	0							10.1	9.8	9.6	9.3	9.0	8.7	8.4	8.0	7.4	6.4	4.8											
		20					10.0	9.8	9.5	9.2	8.9	8.6	8.3	7.9	7.6	7.3	6.6	5.3	2.8											
		30				10.0	9.7	9.5	9.2	8.9	8.5	8.2	7.9	7.6	7.3	6.9	6.2	4.6	1.4											
		40			10.0	9.7	9.4	9.1	8.8	8.5	8.2	7.8	7.5	7.2	6.9	6.5	5.6	3.7												
		50		10.2	9.9	9.7	9.4	9.1	8.8	8.4	8.1	7.8	7.5	7.2	6.8	6.5	6.0	5.0	2.4											
60	10.1	9.9	9.6	9.3	9.0	8.7	8.4	8.1	7.8	7.4	7.1	6.8	6.4	6.0	5.5	4.2														
SHUT-OFF PSI			218	209	200	192	183	174	166	157	148	140	131	123	114	105	97	79	53	27										
P04-07-26-015	1 1/2	0											10.1	9.9	9.7	9.5	9.3	8.8	8.1	7.4	6.7	5.5								
		20										10.0	9.8	9.6	9.4	9.2	9.0	8.8	8.3	7.6	6.9	6.1	4.4							
		30										10.0	9.8	9.6	9.4	9.2	9.0	8.7	8.5	8.0	7.3	6.6	5.7	3.7						
		40					10.1	10.0	9.8	9.6	9.4	9.1	8.9	8.7	8.5	8.2	7.8	7.1	6.3	5.2	2.9									
		50				10.1	9.9	9.7	9.6	9.3	9.1	8.9	8.7	8.4	8.2	8.0	7.5	6.8	5.9	4.7	1.9									
60				10.1	9.9	9.7	9.5	9.3	9.1	8.9	8.6	8.4	8.2	7.9	7.7	7.2	6.5	5.5	4.1											
SHUT-OFF PSI						274	265	257	248	239	231	222	213	205	196	187	179	161	135	110	84	49								
P04-07-32-020	2	0											10.6	10.5	10.4	10.4	10.3	10.1	9.6	9.1	8.4	7.3	5.7							
		20										10.5	10.5	10.4	10.3	10.3	10.2	10.0	9.8	9.2	8.6	7.8	6.6	4.8						
		30										10.5	10.5	10.4	10.3	10.2	10.1	10.0	9.9	9.6	9.0	8.3	7.5	6.2	4.3					
		40							10.5	10.5	10.4	10.3	10.2	10.1	10.0	9.9	9.7	9.4	8.8	8.0	7.2	5.8	3.9							
		50							10.5	10.4	10.3	10.2	10.1	10.0	9.8	9.7	9.5	9.1	8.5	7.7	6.8	5.4	3.3							
60							10.5	10.4	10.3	10.2	10.1	10.0	9.8	9.7	9.5	9.3	8.9	8.2	7.4	6.4	5.0									
SHUT-OFF PSI							343	334	326	317	308	300	291	282	274	265	256	239	213	187	161	126	83							

Specifications subject to change without notice.





# EASY SELECTION CHART

# 16 GPM

# MODEL P04-16

Selection Charts  
(Ratings are in Gallons per Minute - GPM)

Flow Range  
(10 To 20 GPM)

Pump Outlet  
1 1/4" NPT

		Depth to pumping water Level (Lift) in Feet																											
PUMP MODEL	HP	PSI	20	40	60	80	100	120	140	160	180	200	220	240	260	280	300	340	400	460	520	600	700	800	900	1000	1100		
P04-16-05-005	1/2	20	20.3	18.2	14.1	10.0	5.0																						
		30	17.3	14.4	8.0	1.6																							
		40	12.7	8.0	4.0																								
		50	6.5																										
		60	2.9																										
SHUT-OFF PSI			58	49	40	32	23	14																					
P04-16-08-007	3/4	0					20.5	19.2	17.5	15.8	12.8	9.8	5.2																
		20			20.1	18.8	16.9	15.2	11.8	8.5	4.3																		
		30	21.2	19.9	18.4	16.9	14.3	11.8	7.5	3.2	1.6																		
		40	19.7	18.3	16.3	14.3	10.8	7.2	3.6																				
		50	17.9	16.3	13.5	10.7	6.2	1.7																					
SHUT-OFF PSI			97	88	80	71	62	54	45	36	28	19	10																
P04-16-10-010	1	0					20.8	19.8	18.8	17.3	15.9	13.7	11.4	8.0	4.7														
		20				20.5	19.4	18.3	16.8	15.3	12.9	10.5	7.0	3.5	1.8														
		30			20.3	19.3	18.1	16.8	14.8	12.8	9.8	6.7	3.3																
		40		20.2	19.1	18.0	16.4	14.8	12.2	9.6	5.9	2.3																	
		50	20.0	19.0	17.7	16.3	14.2	12.0	8.8	5.6	2.8																		
SHUT-OFF PSI			123	115	106	97	89	80	71	63	54	45	37	28	19	11													
P04-16-14-015	1 1/2	0							21.0	20.3	19.6	18.8	18.0	16.9	15.8	14.3	10.7	3.3											
		20							20.1	19.3	18.5	17.7	16.6	15.4	13.8	12.2	10.0	5.1											
		30						20.7	20.0	19.2	18.4	17.4	16.5	15.1	13.7	11.8	9.8	7.3	2.4										
		40				20.6	19.8	19.1	18.3	17.4	16.0	15.0	13.3	11.6	9.3	7.0	4.3												
		50			20.4	19.8	18.9	18.2	17.2	16.1	14.7	13.2	11.2	9.1	6.5	3.9	2.0												
SHUT-OFF PSI				167	158	149	141	132	123	115	106	97	89	80	71	63	54	37	28										
P04-16-18-020	2	0										21.2	20.6	20.0	19.5	18.9	18.2	16.7	13.5	8.8	2.7								
		20										20.4	19.8	19.3	18.7	18.0	17.3	16.4	14.3	10.0	4.2								
		30									20.3	19.8	19.2	18.6	17.9	17.2	16.3	15.3	12.8	7.9	1.9								
		40								20.3	19.7	19.1	18.5	17.8	17.1	16.1	15.2	13.9	11.1	5.7									
		50								20.2	19.6	19.0	18.3	17.7	16.8	16.0	14.9	13.8	12.3	9.2	3.2								
SHUT-OFF PSI						194	186	177	168	160	151	142	134	125	116	108	90	65	39	13									
P04-16-24-030	3	0																19.6	18.3	16.5	14.2	9.8	2.1						
		20																20.3	19.9	19.5	18.6	17.0	14.8	11.8	6.5				
		30															20.3	19.8	19.4	19.0	18.0	16.3	13.7	10.4	4.7				
		40														20.2	19.8	19.3	18.9	18.4	17.3	15.3	12.5	8.9	2.8				
		50														20.2	19.8	19.3	18.8	18.3	17.8	16.7	14.3	11.3	7.3				
SHUT-OFF PSI										239	230	221	213	204	195	187	169	143	117	91	57	13							
P04-16-38-050	5	0																			21.5	20.4	18.7	16.5	13.4	8.9	2.1		
		20																				20.9	19.6	17.7	15.2	11.5	6.1		
		30																				21.4	20.5	19.2	17.2	14.5	10.5	4.5	
		40																				21.1	20.2	18.8	16.7	13.7	9.3	2.7	
		50																				21.6	20.7	19.8	18.4	16.1	12.8	8.0	0.8
SHUT-OFF PSI																					314	288	262	227	184	141	98	54	11

See P04-16 Performance Curves for Higher Head Models.  
Specifications subject to change without notice.



# EASY SELECTION CHART

# 25 GPM

# MODEL P04-25

Selection Charts  
(Ratings are in Gallons per Minute - GPM)

Flow Range  
(18 To 32 GPM)

Pump Outlet  
1 1/2" NPT

		Depth to pumping water Level (Lift) in Feet																											
PUMP MODEL	HP	PSI	20	40	60	80	100	120	140	160	180	200	220	240	260	280	300	340	400	460	520	600	700	800	900	1000	1100		
P04-25-03-005	1/2	20	18.6	6.5	3.3																								
		30	10.5																										
		40																											
		50																											
		60																											
SHUT-OFF PSI			31	22	13	5																							
P04-25-05-007	3/4	0			34.5	29.8	23.9	18.1																					
		20	32.9	28.6	21.8	15.1	7.5																						
		30	27.1	22.5	12.3	2.0																							
		40	19.5	11.8	5.8																								
		50	10.1																										
SHUT-OFF PSI			57	48	39	31	22	13																					
P04-25-07-010	1	0				31.3	28.5	24.3	20.2	12.7	5.1																		
		20		33.2	30.3	27.6	22.9	18.3	10.4	2.5	1.3																		
		30	33.0	29.9	26.5	23.1	13.0	9.6	4.8																				
		40	29.4	26.6	21.3	16.2	8.2																						
		50	25.3	21.5	14.3	7.0	3.5																						
SHUT-OFF PSI			83	74	65	57	48	39	31	22	13	5																	
P04-25-09-015	1 1/2	0					32.2	30.0	27.9	24.8	21.6	16.3	10.8																
		20				31.5	29.3	27.2	23.7	20.3	14.5	8.8	4.4																
		30			31.3	29.1	26.4	23.7	18.9	14.2	7.8	1.5																	
		40		30.8	28.6	26.3	22.6	18.8	12.8	6.8	3.4																		
		50	30.6	28.4	25.5	22.5	17.4	12.3	6.2																				
SHUT-OFF PSI			109	100	91	83	74	65	57	48	39	31	22	13															
P04-25-11-020	2	0					33.1	31.1	29.3	27.6	25.1	22.5	18.5	14.5	9.3														
		20					32.5	30.6	28.8	27.0	24.3	21.5	17.3	13.0	7.8	2.5													
		30				32.0	30.3	28.7	26.4	24.2	20.6	16.9	12.0	7.0	3.5														
		40			31.8	30.1	28.2	26.3	23.3	20.4	15.9	11.4	6.3																
		50		31.5	29.8	28.1	25.7	23.3	19.4	15.6	10.4	5.3	2.7																
SHUT-OFF PSI			135	126	118	109	100	92	83	74	66	57	48	40	31	23													
P04-25-15-030	3	0										32.3	31.0	29.8	28.4	27.1	25.2	20.7											
		20									31.8	30.6	29.3	28.0	26.6	24.6	22.7	19.8	13.5										
		30						33.0	31.7	30.4	29.2	27.8	26.2	24.5	22.1	19.7	16.4	9.3											
		40					32.8	31.5	30.3	29.0	27.5	26.0	24.0	21.9	19.0	16.1	12.4	4.9											
		50				32.6	31.3	30.0	28.7	27.4	25.7	23.8	21.3	18.8	15.3	12.0	8.2	2.2											
SHUT-OFF PSI					170	161	152	144	135	126	118	109	100	92	83	74	66	48											
P04-25-26-050	5	0															32.5	30.3	28.0	25.3	19.9	10.2							
		20															32.3	30.8	28.6	25.9	22.5	15.8	5.0						
		30															32.1	31.3	29.9	27.7	24.7	20.8	13.5	2.5					
		40															32.0	31.3	30.5	29.1	26.7	23.3	18.9	11.0					
		50															32.7	31.8	31.2	30.4	29.7	28.2	25.5	21.8	16.8	8.5			
SHUT-OFF PSI												253	245	236	227	219	210	193	167	141	115	80	37						

See P04-25 Performance Curves for Higher Head Models.  
Specifications subject to change without notice.





# EASY SELECTION CHART

# 60 GPM

# MODEL P04-60

Selection Charts  
(Ratings are in Gallons per Minute - GPM)

Flow Range  
(40 To 75 GPM)

Pump Outlet  
2" NPT

		Depth to pumping water Level (Lift) in Feet																												
PUMP MODEL	HP	PSI	20	40	60	80	100	120	140	160	180	200	220	240	260	280	300	340	400	460	520	600	700	800	900	1000	1100			
P04-60-04-020	2	20	72.3	64.5	38.6	12.7	6.3																							
		30	58.6	44.9	22.4																									
		40	30.4																											
		50	17.9																											
		60																												
SHUT-OFF PSI			46	37	29	20	11	3																						
P04-60-05-030	3	0				74.8	66.8	58.8	34.3																					
		20	77.8	72.9	63.8	54.8	27.1																							
		30	76.0	64.3	47.3	30.0	15.0																							
		40	60.4	49.9	25.0																									
		50	40.4	19.4	9.8																									
SHUT-OFF PSI			60	51	42	34	25	16	8																					
P04-60-07-050	5	0					77.5	73.8	68.4	63.1	52.2	41.3																		
		20			76.3	72.4	66.6	61.1	48.3	35.8	17.9																			
		30		76.0	71.3	66.5	57.8	49.2	24.6																					
		40	75.1	71.0	64.6	58.2	43.8	29.4	14.8																					
		50	69.7	64.6	54.8	44.9	22.5																							
SHUT-OFF PSI			88	80	71	62	54	45	36	28	19	10																		
P04-60-09-050	5	0						74.8	71.7	67.3	63.0	55.6	48.2	32.8	17.3															
		20				73.8	70.5	65.9	61.3	53.0	44.8	27.5	10.2	5.1																
		30			76.5	73.5	69.6	65.7	59.4	53.2	40.7	28.1	14.0																	
		40		76.2	72.8	69.3	64.3	59.4	50.3	41.0	20.5																			
		50	75.5	72.5	68.3	64.2	57.3	50.4	36.3	22.2	11.1																			
SHUT-OFF PSI			115	106	98	89	81	72	63	55	46	37	29	20	11	3														
*P04-60-13-075 P04-60-13-075	7 1/2	0								77.3	75.4	73.1	70.7	67.8	64.8	60.7	50.0	21.5												
		20							76.8	74.8	72.3	69.9	66.8	63.8	59.3	55.0	47.9	28.9												
		30							76.6	74.3	72.1	69.3	66.6	62.8	59.2	53.3	47.7	38.2	14.3											
		40					76.2	74.1	71.6	69.1	65.8	62.7	57.9	53.3	45.6	37.9	25.0	6.0												
		50				75.9	73.6	71.3	68.4	65.6	61.7	57.7	51.6	45.4	35.0	24.7	12.3													
SHUT-OFF PSI					152	143	134	126	117	108	100	91	82	74	65	56	48	30	4											
*P04-60-18-100 P04-60-18-100	10	0													76.5	75.0	73.3	69.8	63.1	52.6	35.8									
		20												76.1	74.6	72.8	71.2	69.2	64.7	55.8	40.0	14.2								
		30											75.9	74.3	72.7	70.8	68.9	66.7	61.6	50.9	31.5									
		40										75.7	74.1	72.3	70.6	68.5	66.5	63.9	58.0	45.0	20.7									
		50									75.4	73.8	72.1	70.2	68.3	66.0	63.7	60.7	53.6	37.5	10.0									
SHUT-OFF PSI										186	177	169	160	152	143	134	126	117	100	74	46	22								

\* 6" Motor  
Specifications subject to change without notice.



# EASY SELECTION CHART

# 75 GPM

# MODEL P04-75

Selection Charts  
(Ratings are in Gallons per Minute - GPM)

Flow Range  
(45 To 95 GPM)

Pump Outlet  
2" NPT

		Depth to pumping water Level (Lift) in Feet																												
PUMP MODEL	HP	PSI	20	40	60	80	100	120	140	160	180	200	220	240	260	280	300	340	400	460	520	600	700	800	900	1000	1100			
P04-75-03-020	2	20	69.6	45.8	22.9																									
		30	36.2																											
		40	12.4																											
		50																												
		60																												
SHUT-OFF PSI			32	23	14	6																								
P04-75-05-030	3	0			89.8	90.2	78.8	67.6																						
		20	96.3	86.8	74.8	62.9	31.5																							
		30	85.8	74.2	51.8	29.5	14.8																							
		40	70.2	57.1	28.6																									
		50	35.3																											
		60	24.2																											
SHUT-OFF PSI			58	49	41	32	23	15																						
P04-75-08-050	5	0						93.3	86.5	79.6	72.0	64.5	46.9	29.4																
		20			97.4	91.3	84.7	77.5	69.4	61.3	40.3	19.4	9.8																	
		30			96.9	90.1	83.3	76.3	69.3	56.3	43.1	21.6																		
		40	95.5	89.1	82.3	75.4	66.5	57.5	28.8																					
		50	88.0	81.2	73.9	66.7	51.2	35.8	17.9																					
		60	80.2	73.3	63.2	53.0	26.5																							
SHUT-OFF PSI			98	90	81	72	64	55	46	38	29	20	12	3																
*P04-75-11-075 P04-75-11-075	7 1/2	0							97.8	93.3	88.8	84.3	79.8	75.1	70.4	63.7	43.4													
		20							96.5	92.0	87.4	82.9	78.3	73.5	68.8	61.4	54.0	38.8	11.8											
		30							95.7	91.3	86.8	82.2	77.6	73.1	67.3	61.4	50.3	39.3	19.7											
		40							95.2	90.6	86.0	81.5	77.0	72.0	67.0	58.9	50.8	33.5	16.3	8.2										
		50							94.3	89.9	85.3	80.8	76.2	71.6	65.3	59.0	46.6	34.2	17.1											
		60	97.9	93.8	89.2	84.6	80.1	75.6	70.3	65.2	56.1	47.0	23.5																	
SHUT-OFF PSI			151	142	133	125	116	107	99	90	81	73	64	55	47	38	29	12												
*P04-75-15-100 P04-75-15-100	10	0											96.7	93.4	90.0	86.5	83.2	76.3	64.7	40.9										
		20											95.7	92.4	88.9	85.5	82.1	78.7	75.2	67.4	49.3	12.5								
		30											95.3	91.8	88.4	85.0	81.5	78.2	74.8	70.9	61.6	37.1								
		40											98.0	94.7	91.3	87.8	84.4	81.0	77.7	74.1	70.6	66.0	54.0	19.9						
		50											97.3	94.3	90.8	87.3	83.9	80.5	77.1	73.7	69.7	65.8	59.8	43.5						
		60											97.0	93.7	90.3	86.8	83.3	80.0	76.6	73.0	69.3	64.5	59.6	51.5	21.7					
SHUT-OFF PSI						178	170	161	152	144	135	126	118	109	100	92	83	66	40	14										

\* 6" Motor Performance is the same at Best Efficiency Point only, consult factory for actual performance. Specifications subject to change without notice.







DIMENSIONS AND WEIGHTS

MODEL NO.	FIG.	HP	MOTOR SIZE	DISCH. SIZE	DIMENSIONS IN INCHES					APPROX. SHIP. WT.**
					A	B	C	D	E	
P04-05-09-005	A	1/2	4"	1" NPT	29.9	16.4	13.5	3.8	3.9	9
P04-05-13-005	A	1/2	4"	1" NPT	33.3	16.4	16.9	3.8	3.9	12
P04-05-18-007	A	3/4	4"	1" NPT	38.5	17.5	21.0	3.8	3.9	14
P04-05-22-010	A	1	4"	1" NPT	42.9	18.6	24.3	3.8	3.9	16
P04-05-26-015	A	1 1/2	4"	1" NPT	47.8	20.2	27.6	3.8	3.9	18
P04-05-31-015	A	1 1/2	4"	1" NPT	53.7	20.2	33.5	3.8	3.9	21
P04-05-39-020	A	2	4"	1" NPT	62.6	22.5	40.1	3.8	3.9	25
P04-05-48-030	A	3	4"	1" NPT	70.1	22.5	47.6	3.8	3.9	30

NOTES: All models suitable for use in 4" wells, unless otherwise noted.  
 \*\* Weights shown are in lbs. for pump end only.

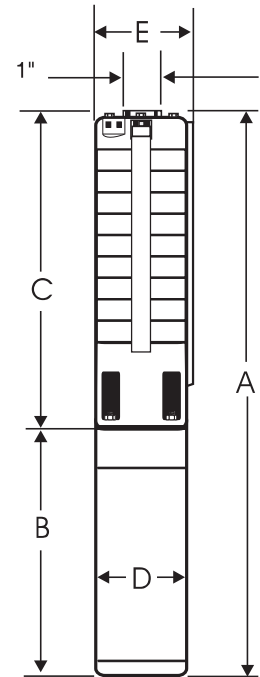


Fig. A

MATERIALS OF CONSTRUCTION

COMPONENT	SPLINED SHAFT (9-26 Stgs.)	SPLINED SHAFT (31-48 Stgs.)
Check Valve Housing	304 Stainless steel	304 Stainless steel
Check Valve	304 Stainless steel	304 Stainless steel
Diffuser Chamber	304 Stainless steel	304 Stainless steel
Impeller	304 Stainless steel	304 Stainless steel
Suction Interconnector	304 Stainless steel	304 Stainless steel
Inlet Screen	304 Stainless steel	304 Stainless steel
Pump Shaft	316 Stainless steel	316 Stainless steel
Straps	304 Stainless steel	304 Stainless steel
Cable Guard	304 Stainless steel	304 Stainless steel
Priming Inducer	304 Stainless steel	304 Stainless steel
Coupling	316 Stainless steel	316 Stainless steel
Check Valve Seat	NBR/304 Stainless steel	NBR/304 Stainless steel
Top Bearing	NBR	NBR
Impeller Seal Ring	NBR/PBT	NBR/PBT
Intermediated Bearings	NBR	NBR

NOTES: Specifications subject to change without notice.

**PERFORMANCE CURVE**

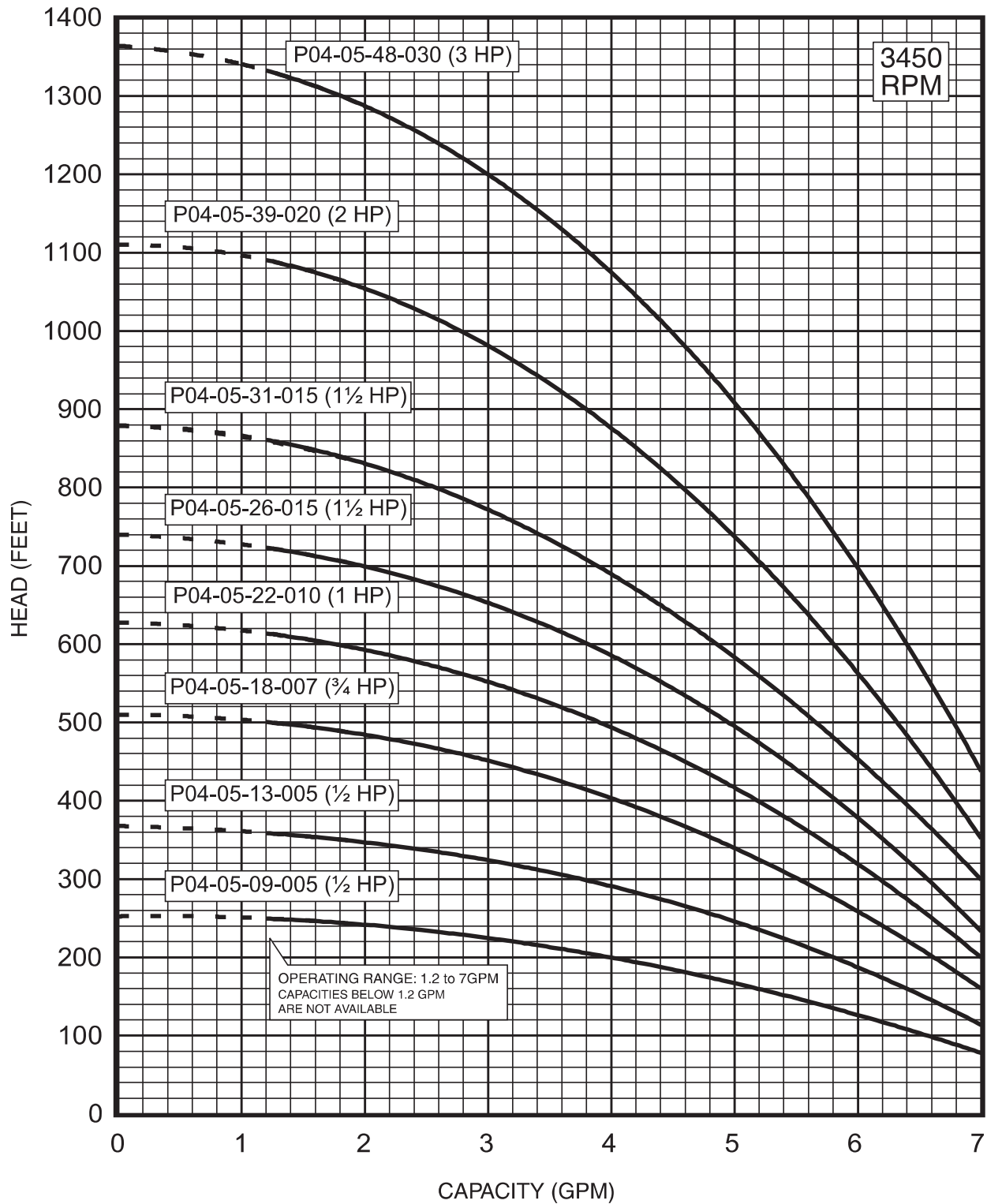
**5 GPM**

**MODEL P04-05**

FLOW RANGE: 1.2 - 7 GPM

OUTLET SIZE: 1" NPT

NOMINAL DIA. 4"



OPERATING RANGE: 1.2 to 7GPM  
CAPACITIES BELOW 1.2 GPM  
ARE NOT AVAILABLE

SPECIFICATIONS SUBJECT TO CHANGE WITHOUT NOTICE.  
4" MOTOR STANDARD, 3450 RPM.

Performance conforms to ISO 9906. 1999 (E) Annex A  
@ 2 ft. min. submergence.



DIMENSIONS AND WEIGHTS

MODEL NO.	FIG.	HP	MOTOR SIZE	DISCH. SIZE	DIMENSIONS IN INCHES					APPROX. SHIP. WT.**
					A	B	C	D	E	
P04-07-08-005	A	1/2	4"	1" NPT	29.1	16.4	12.7	3.8	3.9	9
P04-07-11-005	A	1/2	4"	1" NPT	31.6	16.4	15.2	3.8	3.9	10
P04-07-15-007	A	3/4	4"	1" NPT	36.0	17.5	18.5	3.8	3.9	13
P04-07-19-010	A	1	4"	1" NPT	40.4	18.6	21.8	3.8	3.9	15
P04-07-26-015	A	1 1/2	4"	1" NPT	47.8	20.2	27.6	3.8	3.9	18
P04-07-32-020	A	2	4"	1" NPT	56.6	22.5	34.1	3.8	3.9	21

NOTES: All models suitable for use in 4" wells, unless otherwise noted.  
 \*\* Weights shown are in lbs. for pump end only.

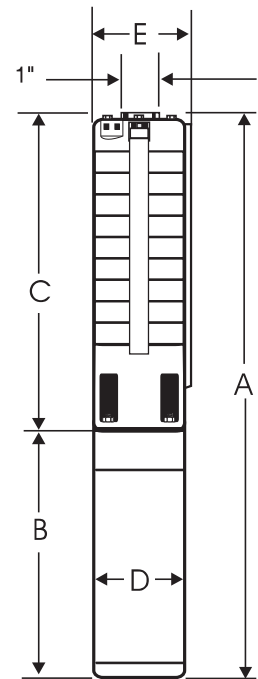


Fig. A

MATERIALS OF CONSTRUCTION

COMPONENT	SPLINED SHAFT
Check Valve Housing	304 Stainless steel
Check Valve	304 Stainless steel
Diffuser Chamber	304 Stainless steel
Impeller	304 Stainless steel
Suction Interconnector	304 Stainless steel
Inlet Screen	304 Stainless steel
Pump Shaft	316 Stainless steel
Straps	304 Stainless steel
Cable Guard	304 Stainless steel
Priming Inducer	304 Stainless steel
Coupling	316 Stainless steel
Check Valve Seat	NBR/304 Stainless steel
Top Bearing	NBR
Impeller Seal Ring	NBR/PBT
Intermediated Bearings	NBR

NOTES: Specifications subject to change without notice.

**PERFORMANCE CURVE**

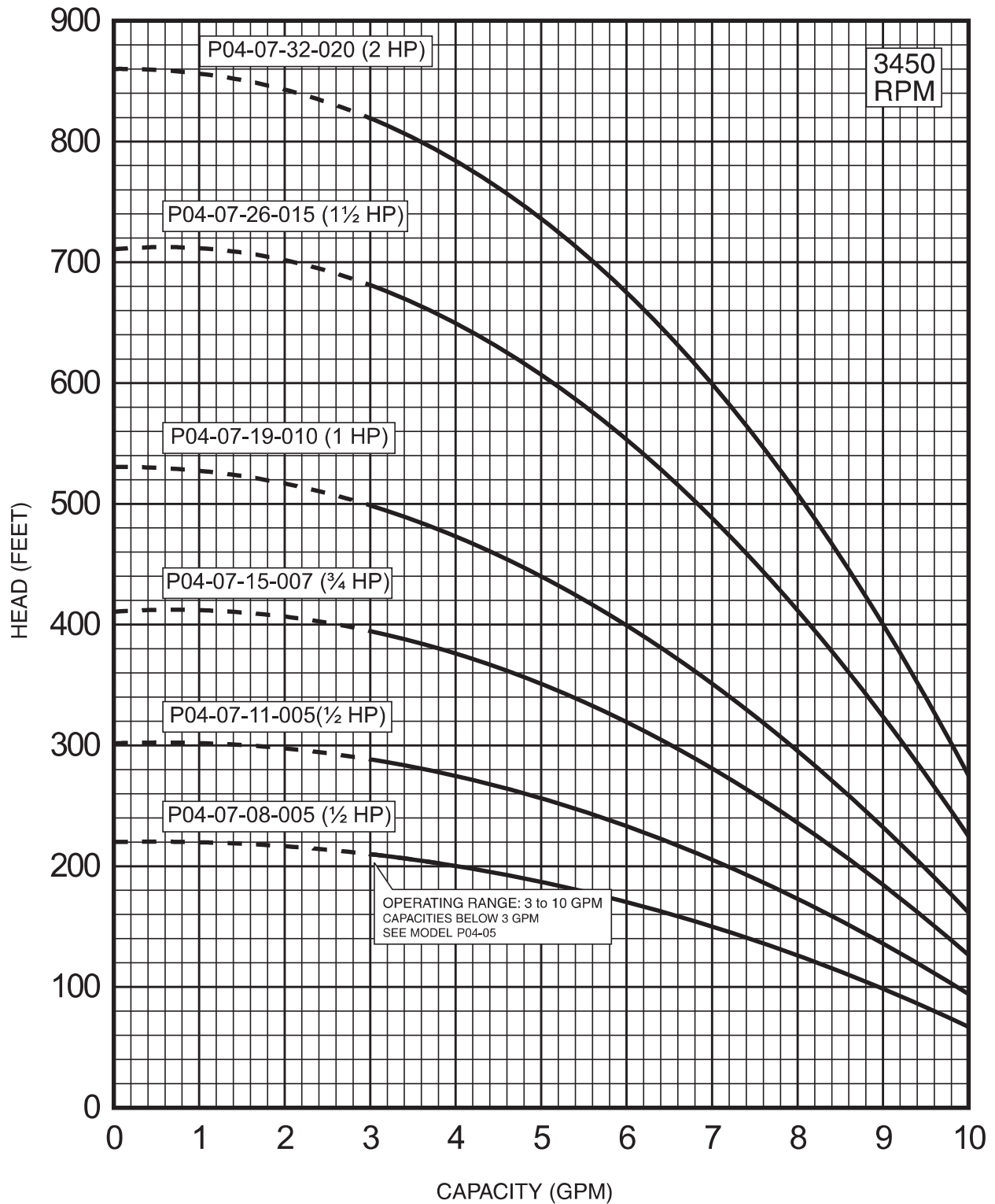
**7 GPM**

**MODEL P04-07**

FLOW RANGE: 3 - 10 GPM

OUTLET SIZE: 1" NPT

NOMINAL DIA. 4"



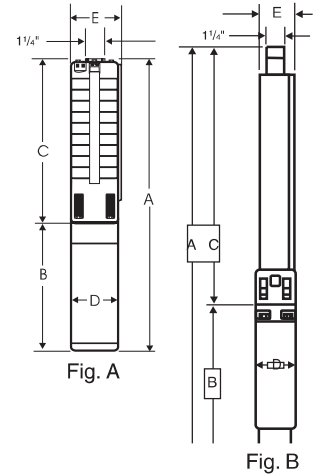
SPECIFICATIONS SUBJECT TO CHANGE WITHOUT NOTICE.  
4" MOTOR STANDARD, 3450 RPM.

Performance conforms to ISO 9906. 1999 (E) Annex A  
@ 2 ft. min. submergence.



**DIMENSIONS AND WEIGHTS**

MODEL NO.	FIG.	HP	MOTOR SIZE	DISCH. SIZE	DIMENSIONS IN INCHES					APPROX. SHIP. WT.**
					A	B	C	D	E	
P04-10-06-005	A	1/2	4"	1 1/4" NPT	27.5	16.4	11.1	3.8	3.9	8
P04-10-09-005	A	1/2	4"	1 1/4" NPT	29.9	16.4	13.5	3.8	3.9	9
P04-10-12-007	A	3/4	4"	1 1/4" NPT	33.5	17.5	16.0	3.8	3.9	11
P04-10-15-010	A	1	4"	1 1/4" NPT	37.1	18.6	18.5	3.8	3.9	13
P04-10-21-015	A	1 1/2	4"	1 1/4" NPT	43.7	20.2	23.5	3.8	3.9	16
P04-10-27-020	A	2	4"	1 1/4" NPT	50.9	22.5	28.4	3.8	3.9	19
P04-10-34-030	A	3	4"	1 1/4" NPT	58.5	22.5	36.0	3.8	3.9	22
P04-10-48-050	A	5	4"	1 1/4" NPT	76.0	28.4	47.6	3.8	3.9	30
P04-10-58-050*	B	5	4"	1 1/4" NPT	91.3	28.4	62.9	3.8	4.3	69



NOTES: All models suitable for use in 4" wells, unless otherwise noted.  
 \* Built into sleeve 1 1/4" NPT discharge, 5" min. well dia.  
 \*\* Weights shown are in lbs. for pump end only.

**MATERIALS OF CONSTRUCTION**

COMPONENT	SPLINED SHAFT (6-27 Stgs.)	SPLINED SHAFT (34-48 Stgs.)	DEEP SET (58 Stgs.)
Check Valve Housing	304 Stainless steel	304 Stainless steel	304 Stainless steel
Check Valve	304 Stainless steel	304 Stainless steel	304 Stainless steel
Diffuser Chamber	304 Stainless steel	304 Stainless steel	304 Stainless steel
Impeller	304 Stainless steel	304 Stainless steel	304 Stainless steel
Suction Interconnector	304 Stainless steel	304 Stainless steel	304 Stainless steel
Inlet Screen	304 Stainless steel	304 Stainless steel	304 Stainless steel
Pump Shaft	316 Stainless steel	316 Stainless steel	316 Stainless steel
Straps	304 Stainless steel	304 Stainless steel	304 Stainless steel
Cable Guard	304 Stainless steel	304 Stainless steel	304 Stainless steel
Priming Inducer	304 Stainless steel	304 Stainless steel	304 Stainless steel
Coupling	316 Stainless steel	316 Stainless steel	316 Stainless steel
Check Valve Seat	NBR/304 Stainless steel	NBR/304 Stainless steel	NBR/304 Stainless steel
Top Bearing	NBR	NBR	NBR
Impeller Seal Ring	NBR/PBT	NBR/PBT	NBR/PBT
Intermediated Bearings	NBR	NBR	NBR
Sleeve	Not Required	Not Required	304 Stainless Steel
Sleeve flange	Not Required	Not Required	304 Stainless Steel

NOTES: Specifications subject to change without notice.

# PERFORMANCE CURVE

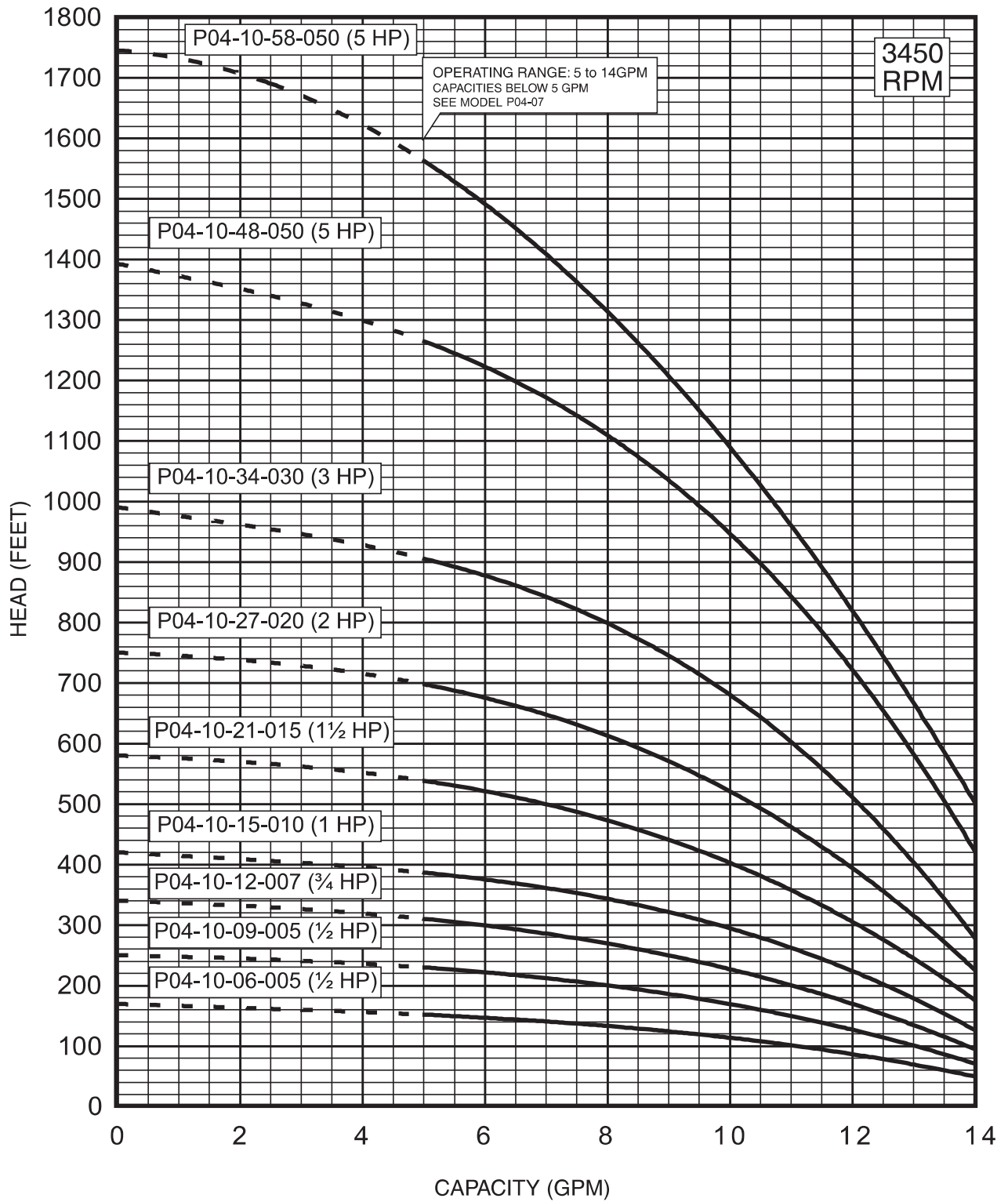
## 10 GPM

## MODEL P04-10

FLOW RANGE: 5 - 14 GPM

OUTLET SIZE: 1 1/4" NPT

NOMINAL DIA. 4"



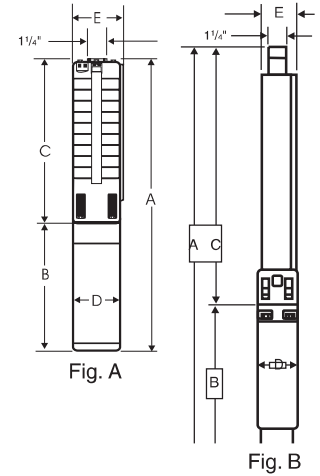
SPECIFICATIONS SUBJECT TO CHANGE WITHOUT NOTICE.  
4" MOTOR STANDARD, 3450 RPM.

Performance conforms to ISO 9906, 1999 (E) Annex A  
@ 2 ft. min. submergence.



**DIMENSIONS AND WEIGHTS**

MODEL NO.	FIG.	HP	MOTOR SIZE	DISCH. SIZE	DIMENSIONS IN INCHES					APPROX. SHIP. WT.**
					A	B	C	D	E	
P04-16-05-005	A	1/2	4"	1 1/4" NPT	26.6	16.4	10.2	3.8	3.9	7
P04-16-08-007	A	3/4	4"	1 1/4" NPT	30.2	17.5	12.7	3.8	3.9	9
P04-16-10-010	A	1	4"	1 1/4" NPT	33.0	18.6	14.4	3.8	3.9	10
P04-16-14-015	A	1 1/2	4"	1 1/4" NPT	37.9	20.2	17.7	3.8	3.9	12
P04-16-18-020	A	2	4"	1 1/4" NPT	43.5	22.5	21.0	3.8	3.9	14
P04-16-24-030	A	3	4"	1 1/4" NPT	48.4	22.5	25.9	3.8	3.9	17
P04-16-38-050	A	5	4"	1 1/4" NPT	67.7	28.4	39.3	3.8	3.9	25
P04-16-56-075*	B	7 1/2	4"	1 1/4" NPT	90.3	21.5	68.8	3.8	5.6	67
P04-16-75-100*	B	10	4"	1 1/4" NPT	107.1	22.6	84.5	3.8	5.6	84



NOTES: All models suitable for use in 4" wells, unless otherwise noted.  
 \* Built into sleeve 1/4" NPT discharge, 6" min. well dia.  
 \*\* Weights shown are in lbs. for pump end only.

**MATERIALS OF CONSTRUCTION**

COMPONENT	SPLINED SHAFT (5-24 Stgs.)	SPLINED SHAFT (38 Stgs.)	DEEP SET (56-75 Stgs.)
Check Valve Housing	304 Stainless steel	304 Stainless steel	304 Stainless steel
Check Valve	304 Stainless steel	304 Stainless steel	304 Stainless steel
Diffuser Chamber	304 Stainless steel	304 Stainless steel	304 Stainless steel
Impeller	304 Stainless steel	304 Stainless steel	304 Stainless steel
Suction Interconnector	304 Stainless steel	304 Stainless steel	304 Stainless steel
Inlet Screen	304 Stainless steel	304 Stainless steel	304 Stainless steel
Pump Shaft	316 Stainless steel	316 Stainless steel	316 Stainless steel
Straps	304 Stainless steel	304 Stainless steel	304 Stainless steel
Cable Guard	304 Stainless steel	304 Stainless steel	304 Stainless steel
Priming Inducer	304 Stainless steel	304 Stainless steel	304 Stainless steel
Coupling	316 Stainless steel	316 Stainless steel	316 Stainless steel
Check Valve Seat	NBR/304 Stainless steel	NBR/304 Stainless steel	NBR/304 Stainless steel
Top Bearing	NBR	NBR	NBR
Impeller Seal Ring	NBR/PBT	NBR/PBT	NBR/PBT
Intermediated Bearings	NBR	NBR	NBR
Sleeve	Not Required	Not Required	304 Stainless Steel
Sleeve flange	Not Required	Not Required	304 Stainless Steel

NOTES: Specifications subject to change without notice.



# PERFORMANCE CURVE

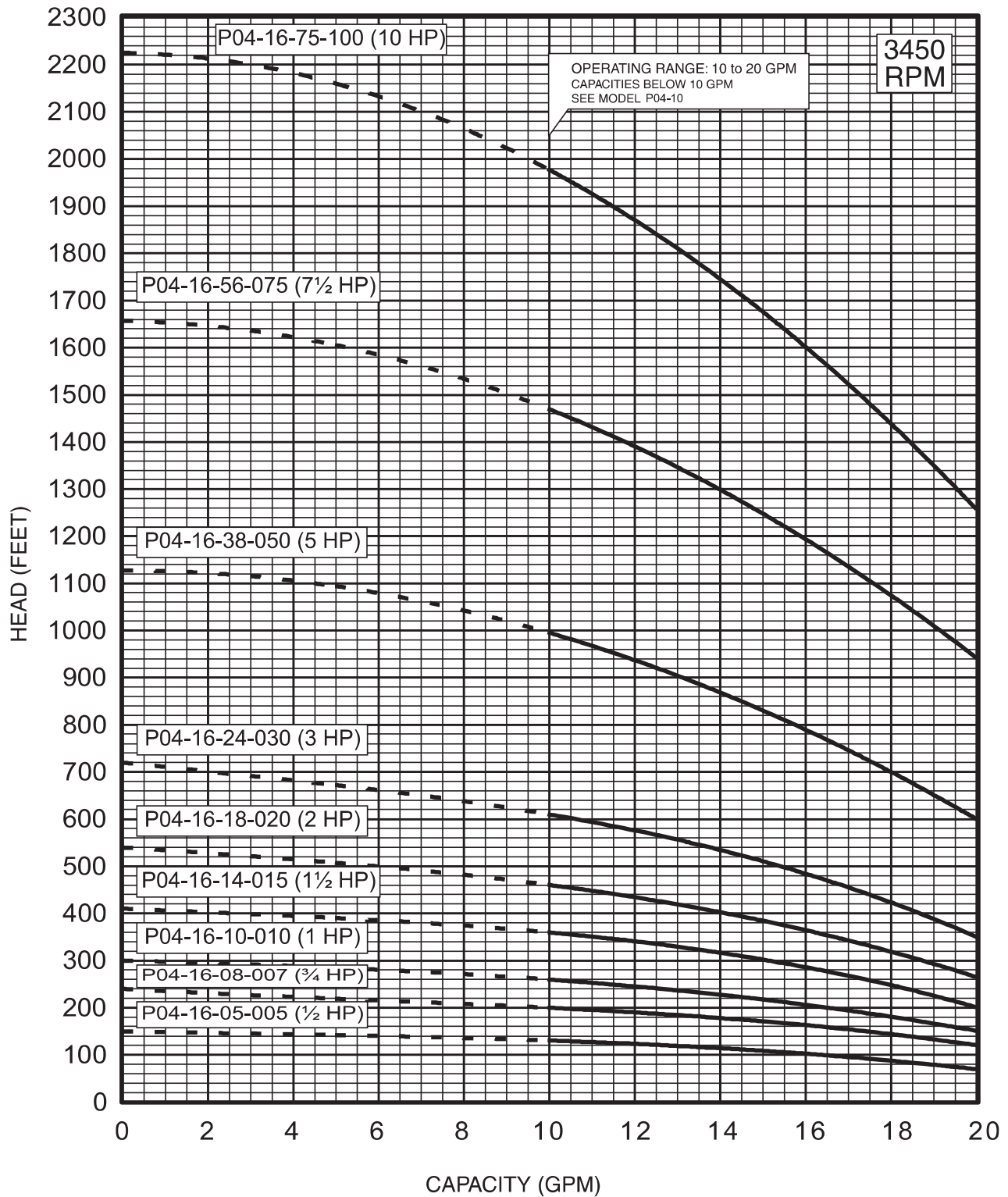
# 16 GPM

# MODEL P04-16

FLOW RANGE: 10 - 20 GPM

OUTLET SIZE: 1 1/4" NPT

NOMINAL DIA. 4"



SPECIFICATIONS SUBJECT TO CHANGE WITHOUT NOTICE.  
4" MOTOR STANDARD, UP TO 10 HP/3450 RPM - Alternate motor sizes available.

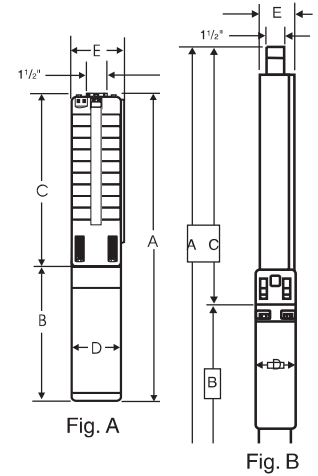
Performance conforms to ISO 9906: 1999 (E) Annex A  
@ 2 ft. min. submergence.



**DIMENSIONS AND WEIGHTS**

MODEL NO.	FIG.	HP	MOTOR SIZE	DISCH. SIZE	DIMENSIONS IN INCHES					APPROX. SHIP. WT.**
					A	B	C	D	E	
P04-25-03-005	A	1/2	4"	1 1/2" NPT	25.0	16.4	8.6	3.8	3.9	6
P04-25-05-007	A	3/4	4"	1 1/2" NPT	27.8	17.5	10.3	3.8	3.9	7
P04-25-07-010	A	1	4"	1 1/2" NPT	30.5	18.6	11.9	3.8	3.9	8
P04-25-09-015	A	1 1/2	4"	1 1/2" NPT	33.8	20.2	13.6	3.8	3.9	9
P04-25-11-020	A	2	4"	1 1/2" NPT	37.7	22.5	15.2	3.8	3.9	10
P04-25-15-030	A	3	4"	1 1/2" NPT	41.0	22.5	18.5	3.8	3.9	13
P04-25-26-050	A	5	4"	1 1/2" NPT	56.0	28.4	27.6	3.8	3.9	18
P04-25-39-075	A	7 1/2	4"	1 1/2" NPT	64.1	21.5	42.6	3.8	3.9	25
P04-25-52-100*	B	10	4"	1 1/2" NPT	88.1	22.6	65.5	3.8	5.6	64

NOTES: All models suitable for use in 4" wells, unless otherwise noted.  
 \* Built into sleeve 1 1/2" NPT discharge, 6" min. well dia.  
 \*\* Weights shown are in lbs. for pump end only.



**MATERIALS OF CONSTRUCTION**

COMPONENT	SPLINED SHAFT (3-26 Stgs.)	SPLINED SHAFT (39 Stgs.)	DEEP SET (52 Stgs.)
Check Valve Housing	304 Stainless steel	304 Stainless steel	304 Stainless steel
Check Valve	304 Stainless steel	304 Stainless steel	304 Stainless steel
Diffuser Chamber	304 Stainless steel	304 Stainless steel	304 Stainless steel
Impeller	304 Stainless steel	304 Stainless steel	304 Stainless steel
Suction Interconnector	304 Stainless steel	304 Stainless steel	304 Stainless steel
Inlet Screen	304 Stainless steel	304 Stainless steel	304 Stainless steel
Pump Shaft	316 Stainless steel	316 Stainless steel	316 Stainless steel
Straps	304 Stainless steel	304 Stainless steel	304 Stainless steel
Cable Guard	304 Stainless steel	304 Stainless steel	304 Stainless steel
Priming Inducer	304 Stainless steel	304 Stainless steel	304 Stainless steel
Coupling	316 Stainless steel	316 Stainless steel	316 Stainless steel
Check Valve Seat	NBR/304 Stainless steel	NBR/304 Stainless steel	NBR/304 Stainless steel
Top Bearing	NBR	NBR	NBR
Impeller Seal Ring	NBR/PBT	NBR/PBT	NBR/PBT
Intermediated Bearings	NBR	NBR	NBR
Sleeve	Not Required	Not Required	304 Stainless Steel
Sleeve flange	Not Required	Not Required	304 Stainless Steel

NOTES: Specifications subject to change without notice.

# PERFORMANCE CURVE

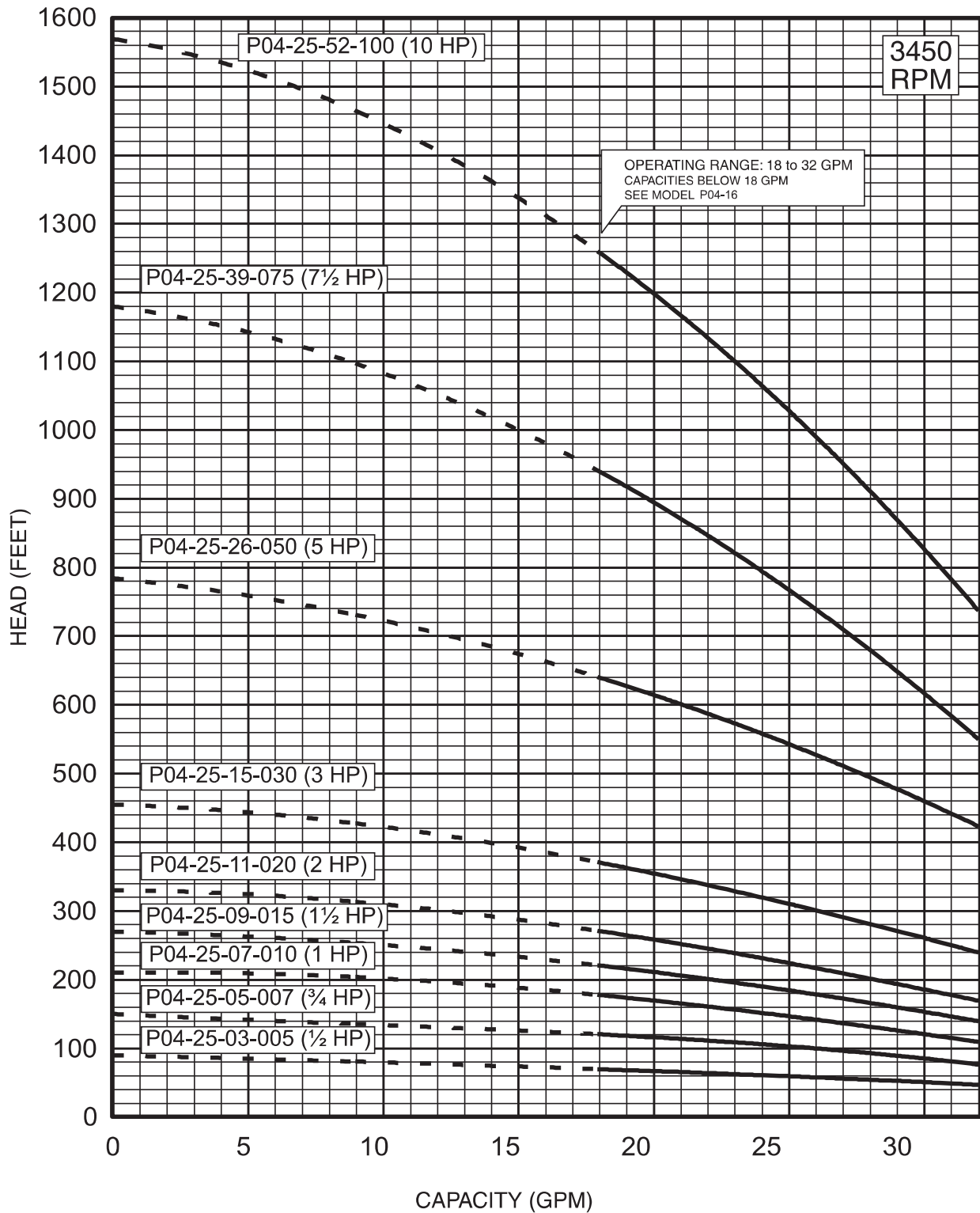
## 25 GPM

## MODEL P04-25

FLOW RANGE: 18 - 32 GPM

OUTLET SIZE: 1 1/2" NPT

NOMINAL DIA. 4"



SPECIFICATIONS SUBJECT TO CHANGE WITHOUT NOTICE.  
4" MOTOR STANDARD, UP TO 10 HP/3450 RPM - Alternate motor sizes available.

Performance conforms to ISO 9906. 1999 (E) Annex A  
@ 2 ft. min. submergence.



DIMENSIONS AND WEIGHTS

MODEL NO.	FIG.	HP	MOTOR SIZE	DISCH. SIZE	DIMENSIONS IN INCHES					APPROX. SHIP. WT.**
					A	B	C	D	E	
P04-40-03-010	A	1	4"	2" NPT	31.4	18.6	12.8	3.8	3.9	9
P04-40-05-015	A	1 1/2	4"	2" NPT	36.3	20.2	16.1	3.8	3.9	11
P04-40-07-020	A	2	4"	2" NPT	41.9	22.5	19.4	3.8	3.9	14
P04-40-09-030	A	3	4"	2" NPT	45.2	22.5	22.7	3.8	3.9	16
P04-40-12-050	A	5	4"	2" NPT	56.1	28.4	27.7	3.8	3.9	20
P04-40-15-050	A	5	4"	2" NPT	61.0	28.4	32.6	3.8	3.9	24
P04-40-21-075*	A	7 1/2	4"	2" NPT	70.6	28.0	42.6	3.8	3.9	31
P04-40-25-075*	A	7 1/2	4"	2" NPT	77.2	28.0	49.2	3.8	3.9	36
P04-40-30-100*	A	10	4"	2" NPT	91.9	32.0	59.9	3.8	3.9	42
P04-40-37-150	A	15	6"	2" NPT	97.7	26.2	71.5	5.6	5.6	57
P04-40-44-150	A	15	6"	2" NPT	109.2	26.2	83.0	5.6	5.6	67
P04-40-50-200***	B	20	6"	2" NPT	134.7	29.3	105.4	5.6	5.6	185
P04-40-58-200***	B	20	6"	2" NPT	147.9	29.3	118.6	5.6	5.6	200
P04-40-66-200***	B	20	6"	2" NPT	161.2	29.3	131.9	5.6	5.6	219

NOTES: All models suitable for use in 4" wells, unless otherwise noted.  
 \* Also available with 6" motor.  
 \*\* Weights shown are in lbs. for pump end only.  
 \*\*\* Built into sleeve 2" NPT discharge, 6" min. well dia.

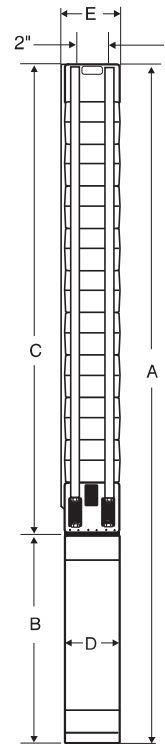


Fig. A

MATERIALS OF CONSTRUCTION

COMPONENT	CYLINDRICAL SHAFT (3-44 Stgs.)	DEEP SET (50-66 Stgs.)
Check Valve Housing	304 Stainless steel	304 Stainless steel
Check Valve	304 Stainless steel	304 Stainless steel
Diffuser Chamber	304 Stainless steel	304 Stainless steel
Impeller	304 Stainless steel	304 Stainless steel
Suction Interconnector	304 Stainless steel	304 Stainless steel
Inlet Screen	304 Stainless steel	304 Stainless steel
Pump Shaft	316 Stainless steel	316 Stainless steel
Straps	304 Stainless steel	304 Stainless steel
Cable Guard	304 Stainless steel	304 Stainless steel
Priming Inducer	304 Stainless steel	304 Stainless steel
Coupling	316 Stainless steel	316 Stainless steel
Check Valve Seat	NBR	NBR
Top Bearing	NBR	NBR
Impeller Seal Ring	NBR	NBR
Intermediated Bearings	NBR	NBR
Split Cone	304 Stainless Steel	304 Stainless Steel
Split Cone Nut	304 Stainless Steel	304 Stainless Steel
Sleeve	Not Required	304 Stainless Steel
Sleeve flange	Not Required	304 Stainless Steel

NOTES: Specifications subject to change without notice.

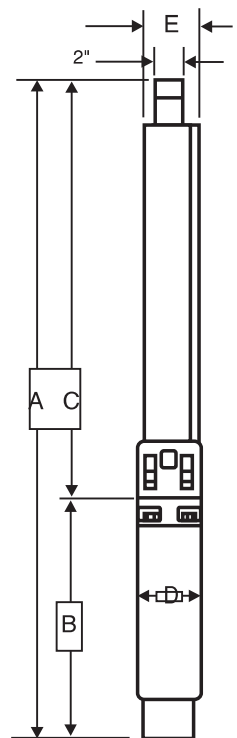


Fig. B

**PERFORMANCE CURVE**

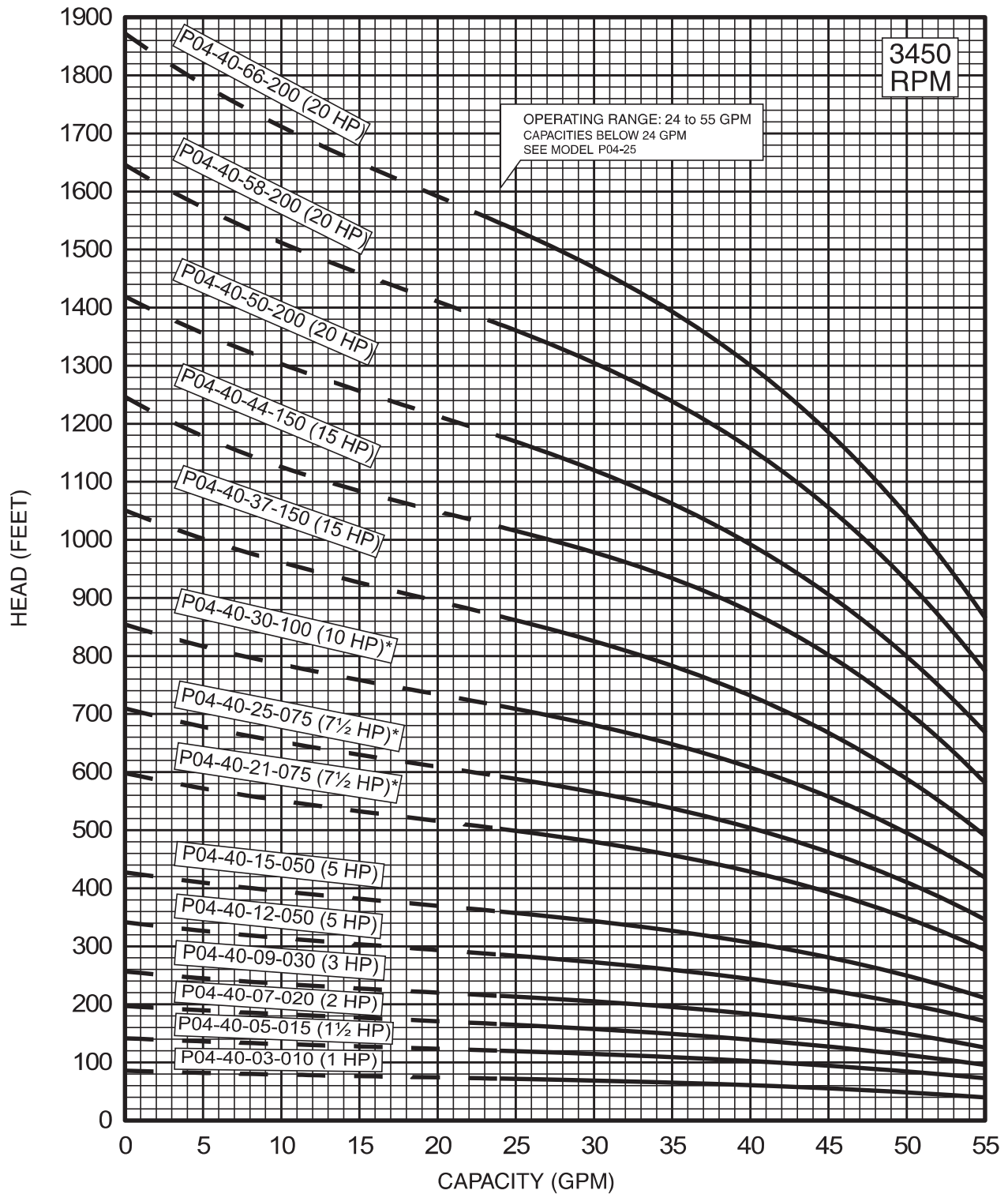
**40 GPM**

**MODEL P04-40**

FLOW RANGE: 24 - 55 GPM

OUTLET SIZE: 2" NPT

NOMINAL DIA. 4"



SPECIFICATIONS SUBJECT TO CHANGE WITHOUT NOTICE.  
4" MOTOR STANDARD, 1-10 HP/3450 RPM.  
6" MOTOR STANDARD, 15-20 HP/3450 RPM.  
\* Also available with 6" motor

Performance conforms to ISO 9906. 1999 (E) Annex A  
@ 5 ft. min. submergence.



**DIMENSIONS AND WEIGHTS**

MODEL NO.	FIG.	HP	MOTOR SIZE	DISCH. SIZE	DIMENSIONS IN INCHES					APPROX. SHIP. WT.**
					A	B	C	D	E	
P04-60-04-020	A	2	4"	2" NPT	40.0	22.5	17.5	3.8	3.9	12
P04-60-05-030	A	3	4"	2" NPT	42.6	22.5	20.1	3.8	3.9	14
P04-60-07-050	A	5	4"	2" NPT	53.6	28.4	25.2	3.8	3.9	17
P04-60-09-050	A	5	4"	2" NPT	59.3	28.4	30.9	3.8	3.9	21
P04-60-13-075*	A	7 1/2	4"	2" NPT	71.0	28.0	43.0	3.8	3.9	28
P04-60-18-100*	A	10	4"	2" NPT	87.8	32.0	55.8	3.8	3.9	37

NOTES: All models suitable for use in 4" wells, unless otherwise noted.

\* Also available with 6" motor.

\*\* Weights shown are in lbs. for pump end only.

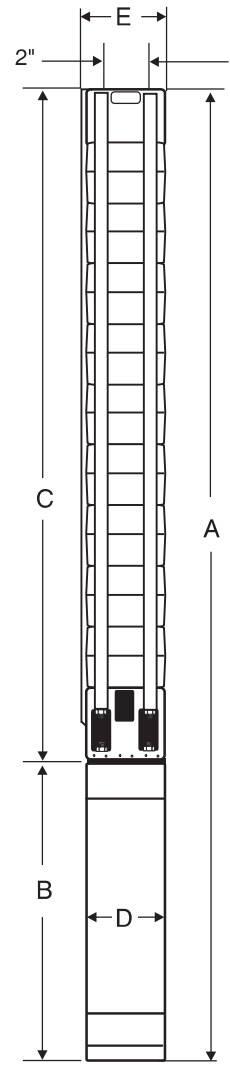


Fig. A

**MATERIALS OF CONSTRUCTION**

COMPONENT	CYLINDRICAL SHAFT (4-18 Stgs.)
Check Valve Housing	304 Stainless steel
Check Valve	304 Stainless steel
Diffuser Chamber	304 Stainless steel
Impeller	304 Stainless steel
Suction Interconnector	304 Stainless steel
Inlet Screen	304 Stainless steel
Pump Shaft	316 Stainless steel
Straps	304 Stainless steel
Cable Guard	304 Stainless steel
Priming Inducer	304 Stainless steel
Coupling	316 Stainless steel
Check Valve Seat	NBR
Top Bearing	NBR
Impeller Seal Ring	NBR
Intermediated Bearings	NBR
Split Cone	304 Stainless Steel
Split Cone Nut	304 Stainless Steel

NOTES: Specifications subject to change without notice.

**PERFORMANCE CURVE**

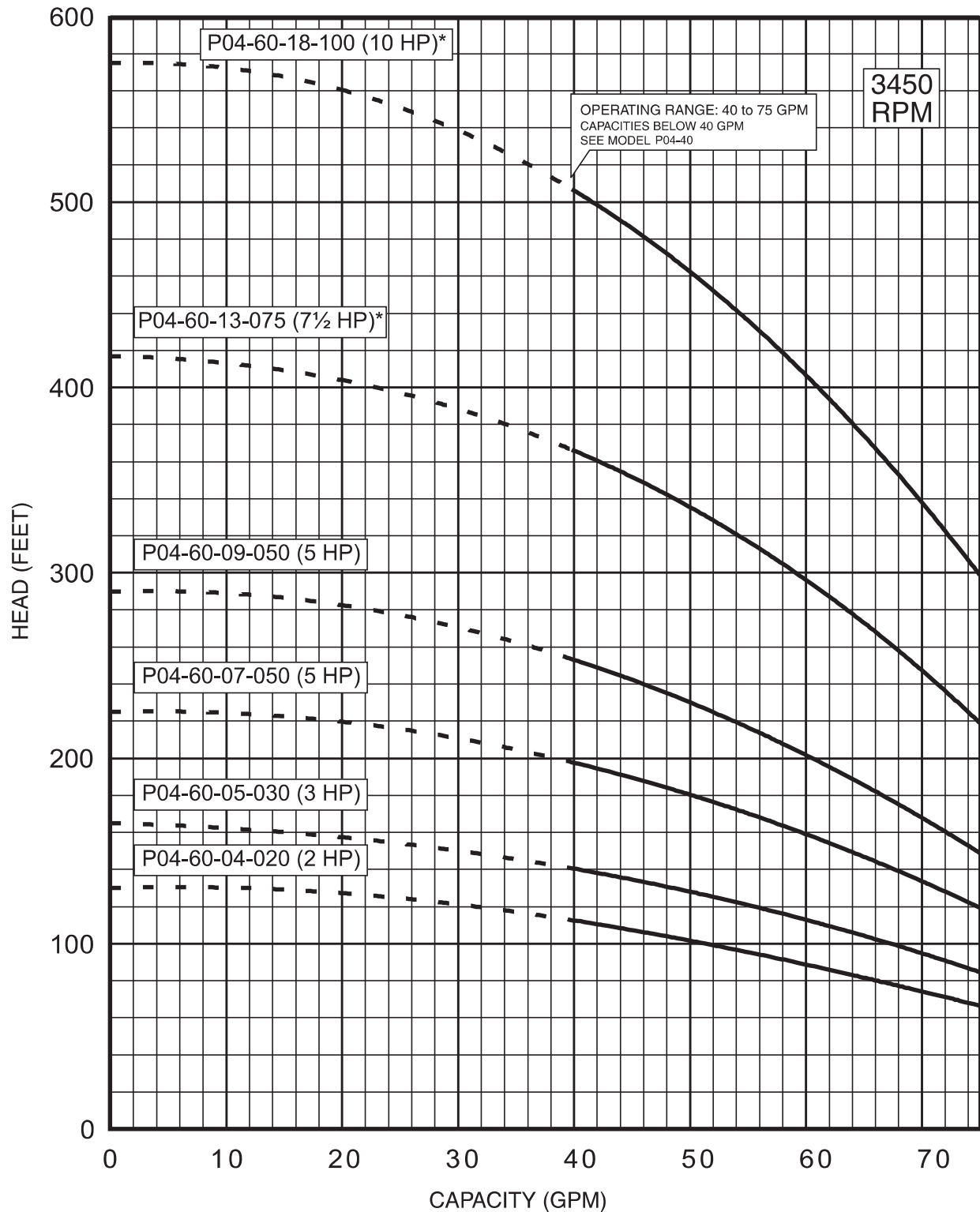
**60 GPM**

**MODEL P04-60**

FLOW RANGE: 40 - 75 GPM

OUTLET SIZE: 2" NPT

NOMINAL DIA. 4"



SPECIFICATIONS SUBJECT TO CHANGE WITHOUT NOTICE.  
4" MOTOR STANDARD, 3450 RPM.  
\* Also available with 6" motor.

Performance conforms to ISO 9906. 1999 (E) Annex A  
@ 5 ft. min. submergence.



**DIMENSIONS AND WEIGHTS**

MODEL NO.	FIG.	HP	MOTOR SIZE	DISCH. SIZE	DIMENSIONS IN INCHES					APPROX. SHIP. WT.**
					A	B	C	D	E	
P04-75-03-020	A	2	4"	2" NPT	37.5	22.5	15.0	3.8	3.9	10
P04-75-05-030	A	3	4"	2" NPT	42.6	22.5	20.1	3.8	3.9	14
P04-75-08-050	A	5	4"	2" NPT	56.2	28.4	27.8	3.8	3.9	19
P04-75-12-075*	A	7 1/2	4"	2" NPT	68.4	28.0	40.4	3.8	3.9	26
P04-75-16-100*	A	10	4"	2" NPT	82.7	32.0	50.7	3.8	3.9	34

NOTES: All models suitable for use in 4" wells, unless otherwise noted.  
 \* Also available with 6" motor, performance is the same only at Best Efficiency Point. Consult factory for actual performance.  
 \*\* Weights shown are in lbs. for pump end only.

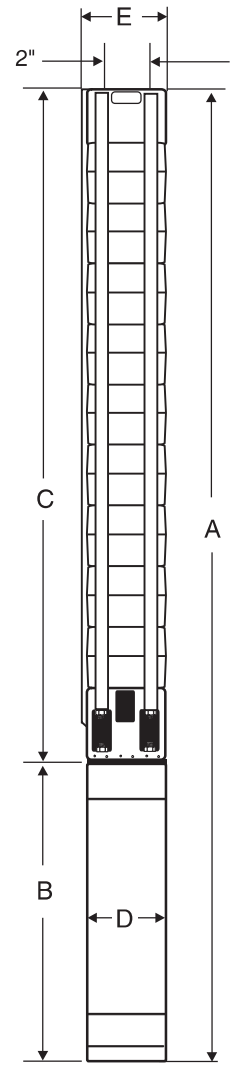


Fig. A

**MATERIALS OF CONSTRUCTION**

COMPONENT	CYLINDRICAL SHAFT (3-16 Stgs.)
Check Valve Housing	304 Stainless steel
Check Valve	304 Stainless steel
Diffuser Chamber	304 Stainless steel
Impeller	304 Stainless steel
Suction Interconnector	304 Stainless steel
Inlet Screen	304 Stainless steel
Pump Shaft	316 Stainless steel
Straps	304 Stainless steel
Cable Guard	304 Stainless steel
Priming Inducer	304 Stainless steel
Coupling	316 Stainless steel
Check Valve Seat	NBR
Top Bearing	NBR
Impeller Seal Ring	NBR
Intermediated Bearings	NBR
Split Cone	304 Stainless Steel
Split Cone Nut	304 Stainless Steel

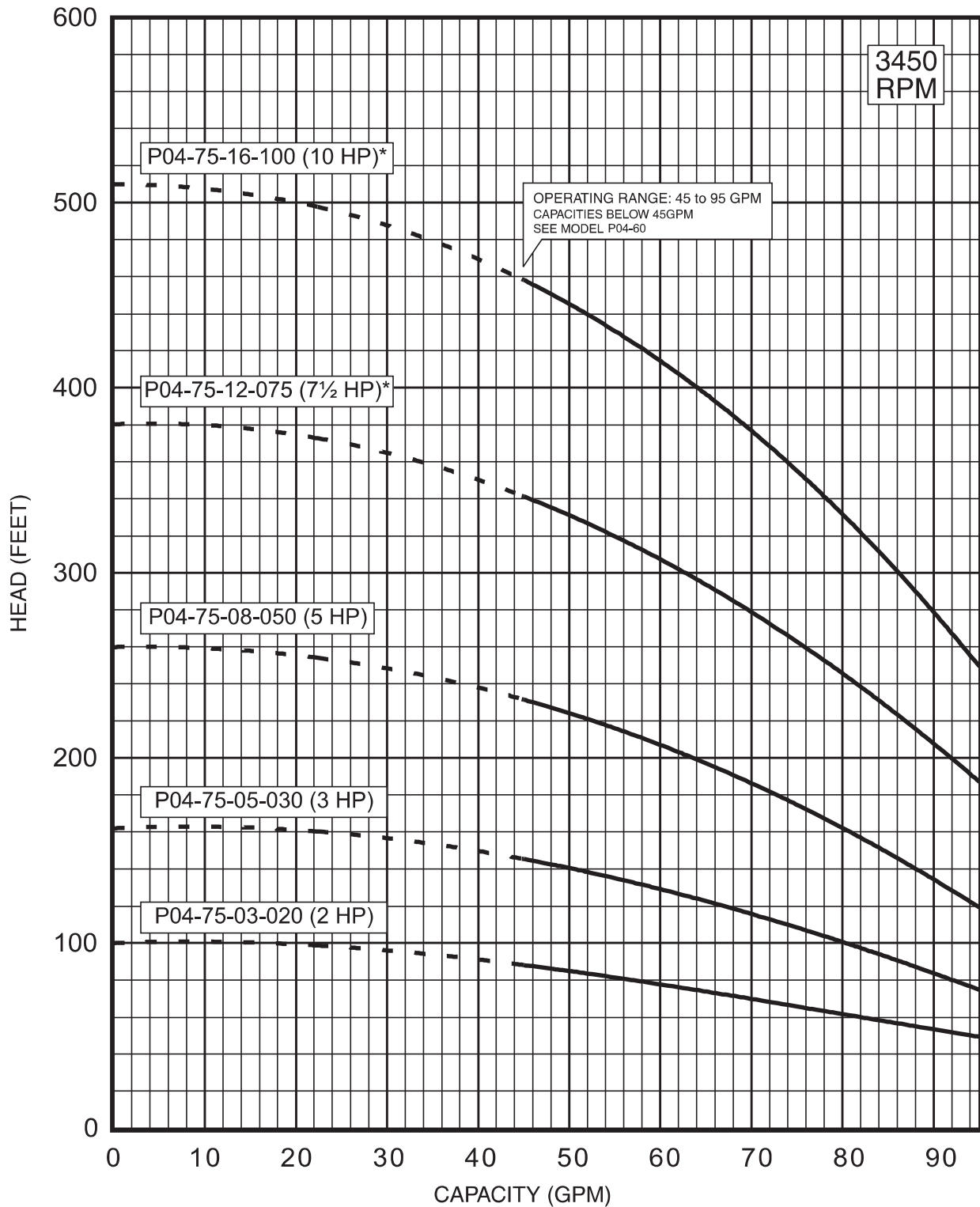
NOTES: Specifications subject to change without notice.



FLOW RANGE: 45 - 95 GPM

OUTLET SIZE: 2" NPT

NOMINAL DIA. 4"



SPECIFICATIONS SUBJECT TO CHANGE WITHOUT NOTICE.  
4" MOTOR STANDARD, 2-10 HP/3450 RPM.

\* Also available with 6" motor, performance is the same only at Best Efficiency Point.  
Consult factory for actual performance.

Performance conforms to ISO 9906. 1999 (E) Annex A  
@ 5 ft. min. submergence.