



SUBMERSIBLES AND ELECTRIC INC.

Vertical Deepwell Jet Pumps

LSJ SERIES



Specifications

- Power Range : 0.75HP - 1.5HP, 115/230V Capacitor Start
- 2HP, 230V Capacitor Start"
- 60Hz, Single Phase, 3450 RPM
- Flow rate : up to 32 GPM
- Max. Head : 210ft
- Built-in Overload Protector with auto reset
- Stainless Steel Shaft
- Rotation : Clockwise when viewed form Motor end
- Max. Water Temperature : 140 °F
- Pipe Connections : Suction : 1¼" Discharge : 1" NPT
- Pressure Setting : preset at 30-50 psi
- NEMA Standard

Operating conditions

Liquid Teperature : 32 °F to +140 °F
Max. Ambient Temperature : 104 °F

Special Features

- Specially designed to deliver high flow rate at deeper settings
- **Serviceable** : Easy to dismantle by removing four bolts and taken apart for service
- **Impeller** : F.D.A. compliant, food grade, glass filled thermoplastic for durability and abrasion resistance.
- **Corrosion Resistant** : Polyurethane paint process on cast iron prevents corrosion inside & outside.
- **Casing** : Cast Iron Construction. Back pull-out design. Tapped openings provided for vacuum gauge and casing drain
- **Powered for Continuous Operation**: Pump ratings are within the range of working limits of motor. Can be operated continuously without damage.
- Top mounted vent plug allows air to escape from seal cavity during initial priming
- Adjustable Automatic Pressure Control Valve maintains ma. Flow rate at all times. Bypass check Valve equalizes pressure in entire system and helps prevent loss of prime.

Applications

- Residential
- Farm irrigation
- Booster Service

Performance Table

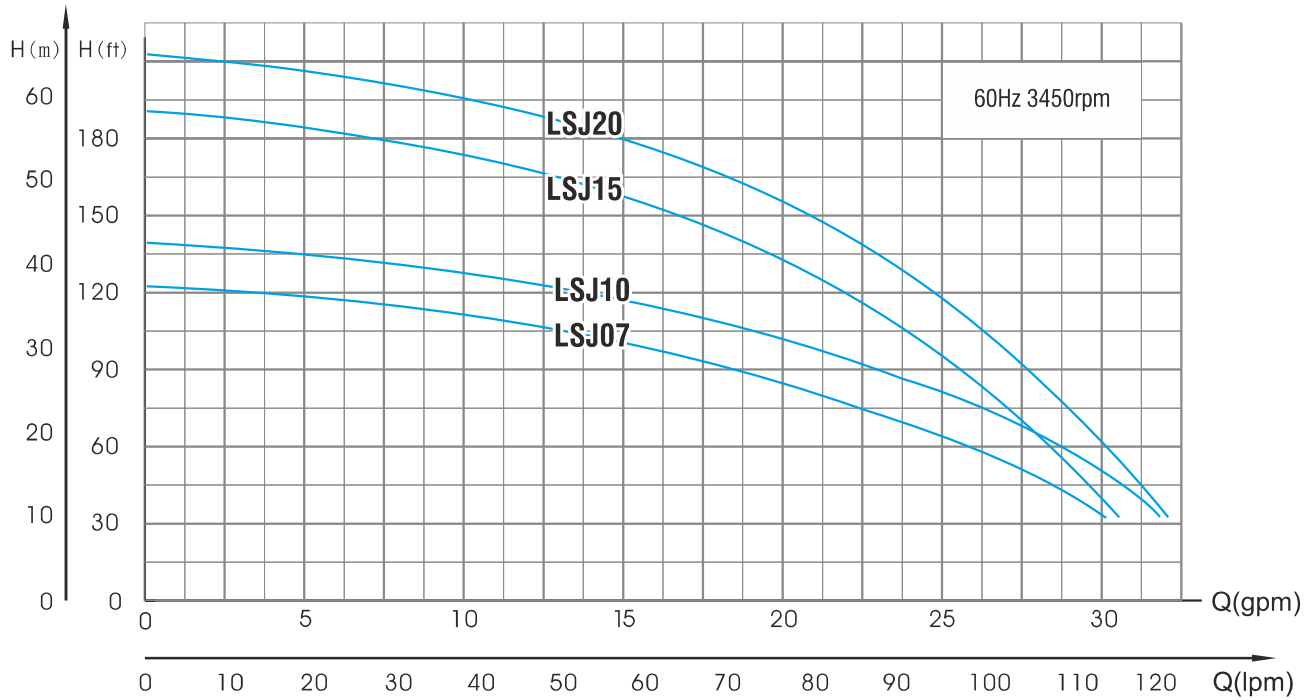
Model	LSJ07			LSJ10			LSJ15			LSJ20			
HP	0.75HP			1HP			1.5HP			2HP			
Well Casing (inch)	2			2			2			2			
Suction Pipe Size (inch)	1.25			1.25			1.25			1.25			
Nozzle	N012	N013	N014	N013	N014	N015	N013						
Venturi	V727	V724	V720	V724		V720	V726	V722	V719	V726	V722	V719	
Pressure Control Valve Setting (PSI)	40			40	45		62	65	67	76	78	80	
Depth to Jet Assembly (based on submergence of 5 feet)	Feet	Gallons Per Minute 30–50 Pressure Switch Setting											
	30	14.9			15.8			13			13		
	40	13.1			14			13			13		
	50	11.6			12.5			12.9			13		
	60	10.5			11.2			12.7			13		
	70	8.4	8.8					11.8			12.8		
	80		7.6					10.2			11.8		
	90		6.1	6.2				8.3	9.1		10.5		
	100			5.7			4.8		8.3		8.5	9.1	
	110			4.3		11.3	4		7.3			8.9	
	12			3.8		10	3.5		6.2			7.9	
	130			2.2		8.7	3		5.4	5.6		6.9	
	140					5.5	2.4			5.3		6	
	150					4.2				4.8		5.2	5.6
	160									4.3			5.4
	170												4.9
	180												4.3
190												3.8	
200												3.3	

Product improvement is a continuous process at SEI. The data given in this publication is there for esubject to revision.

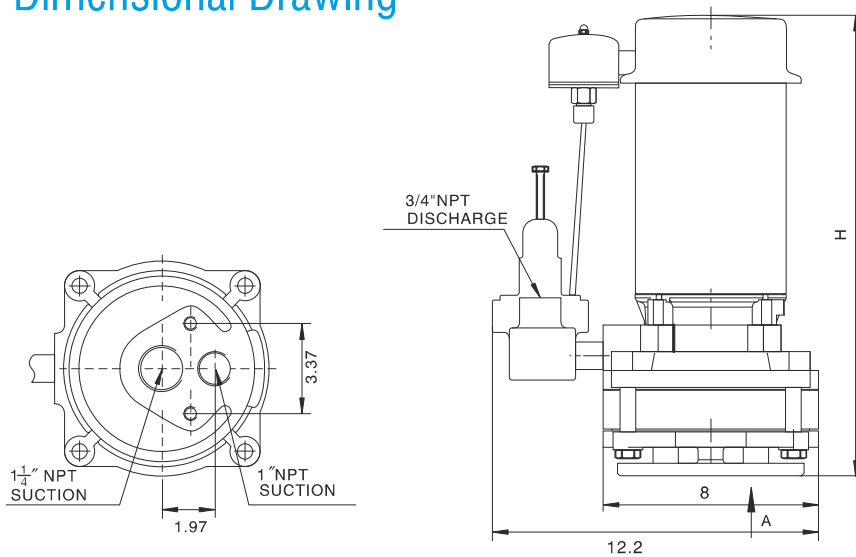


SUBMERSIBLES AND ELECTRIC INC.

Performance Curves



Dimensional Drawing



MODEL	LSJ07	LSJ10	LSJ15	LSJ20
L	17.32	17.32	19.69	19.69
Weight in lbs	58	63	78	88

Note: The above dimensions are in Inches.

Exploded Drawing and Spare Parts

1	Drain plug	NPT 1/8" ,Zinc plated
2	Hexagon bolt	1/2"-13x110, Zinc plated
3	Pump lower cover	Cast iron
4	Hexagon bolt with full screws	3/8"-16x25,S.S
5	Washer	Ø10, S.S
6	Impeller	PPO+20%GF
7	O-ring	NBR
8	Diaphragm	S.S.304
9	Pump middle cover	Cast iron
10	Sleeve	S.S.304
11	Pressure control valve sets	Cast iron
12	Elbow fitting	PP
13	Tubing	PP
14	Straight Fitting	PP
15	Pressure switch	30-50psi
16	Switch connector	G1/2"
17	Electric motor	Rugged steel
18	Deflector	Heat-resistance rubber
19	Pump upper cover	Cast iron
20	Mechanical Seal	Graphite/Ceramic
21	Flat washer	S.S.304
22	O ring	NBR
23	Washer	S.S.304
24	Impeller Spindle	S.S.304
25	Hexagon Bolt	3/8"-16x45, S.S
26	Control valve connector	NPT3/4

